



Introduction to MCU Product Line



Roc Zheng





Applications

- ◇ 4-Bit, 8-Bit MCU in special fields.
- ◇ Main application:
 - Remote control
 - Media control
 - Electric energy meter
 - Motor Control
 - Home Appliances





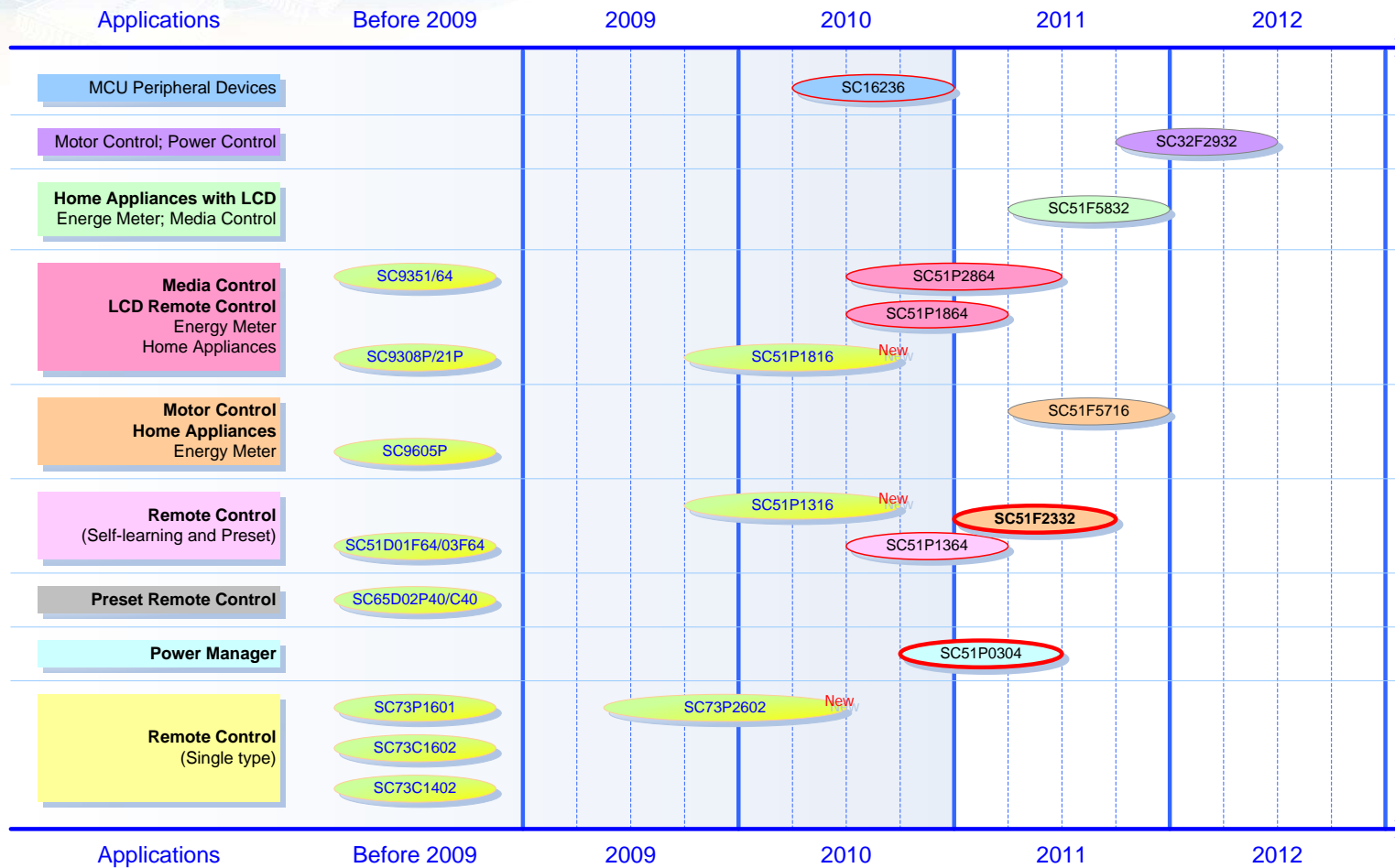
Strategy

- ✧ Design competitive MCU products with abundant modules according to the requirements of customers.
 - 4 / 8-Bit MCU Core
 - ROM/OTP/FLASH program memory
 - 8/10/12-Bit ADC
 - Analog voltage comparator
 - Amplifier
 - I²C / SPI / UART,USB
 - Timer / Counter / Capture / WDT / PWM / HSO
 - Real Time Clock
 - PLL
 - LCD Driver
- ✧ Full software support
 - Demo program
 - MCU-based software development
 - **Special software tool for improving efficiency in particular fields**





Road Map





New Products

2K OTP, 250mA TR。
Application: Single RC. Sample ready。

SC73P2602

SC51P1316/64

16K/64K OTP, Carrier modulation/demodulation.
Applications: Universal RC, Learning RC

16K/64K OTP, Carrier modulation/ demodulation,
32X4 LCD Driver.
Applications: Air-condition RC, Clock Audio, i-Phone Docking.

SC51P1816/64



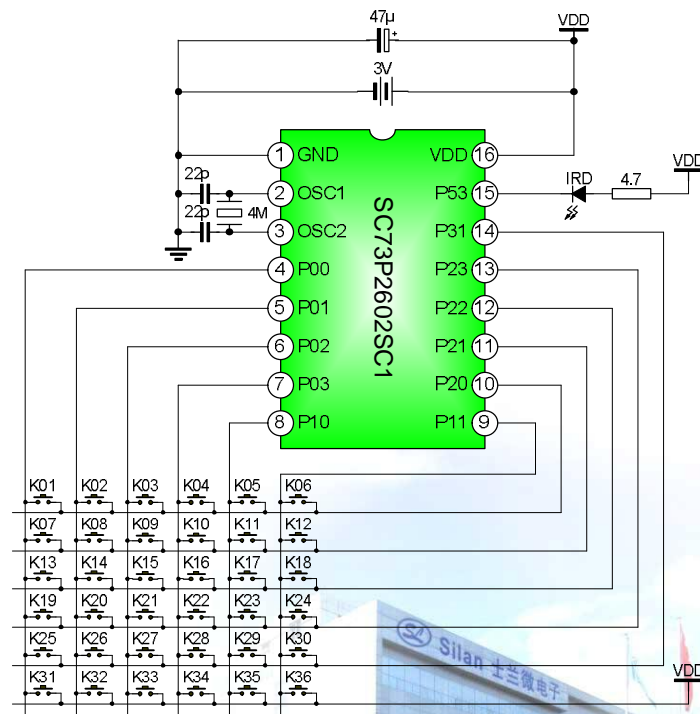
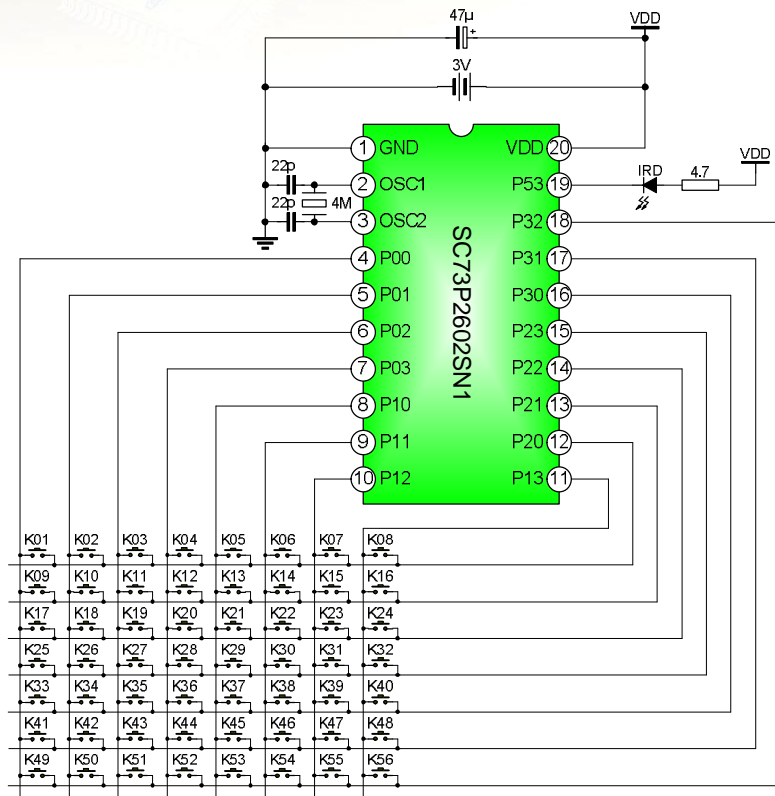
Brief Introduction to SC73P2602(New product)

- ✧ Adopt S73 MCU core
- ✧ Built-in 2K bytes OTP program memory
- ✧ Built-in 32 nibble RAM
- ✧ Operating frequency: 2M ~ 6M Hz
- ✧ **Built-in transistor(350mA)** for IR LED drive
- ✧ Support **in-system program** (ISP)
- ✧ Operating voltage is 1.8V~3.6V, quiescent current is less than 1 μ A
- ✧ 16/20/24 SOP package
- ✧ QMASK version: SC73C2602
- ✧ Typical application: single type remote control





Application Circuit of SC73P2602/C2602





SC73P2602

Device No.	I/O	Package	PIN to PIN Compatible	Remark
SC73P2602SH1	18	SOP-24-375-1.27		
SC73P2602SN1	15	SOP-20-375-1.27		
SC73P2602SM2	15	SOP-20-300-1.27		
SC73P2602SN2	15	SOP-20-375-1.27		
SC73P2602RC2	15	SSOP-20-225-0.65		
SC73P2602RD2	15	SSOP-20-300-0.65	SC73C1602Q, SC73C1602N	Common
SC73P2602SM3	15	SOP-20-300-1.27		
SC73P2602SN3	15	SOP-20-375-1.27	SC73P1601MD, SC73C1602MD	Common
SC73P2602RC3	15	SSOP-20-225-0.65	SC73P1601MC, SC73C1602MC	Common
SC73P2602RD3	15	SSOP-20-300-0.65		Common
SC73P2602SC1	11	SOP-16-225-1.27		Common
SC73P2602SC2	11	SOP-16-225-1.27		
SC73P2602SC3	11	SOP-16-225-1.27		



Brief Introduction to SC51P1816

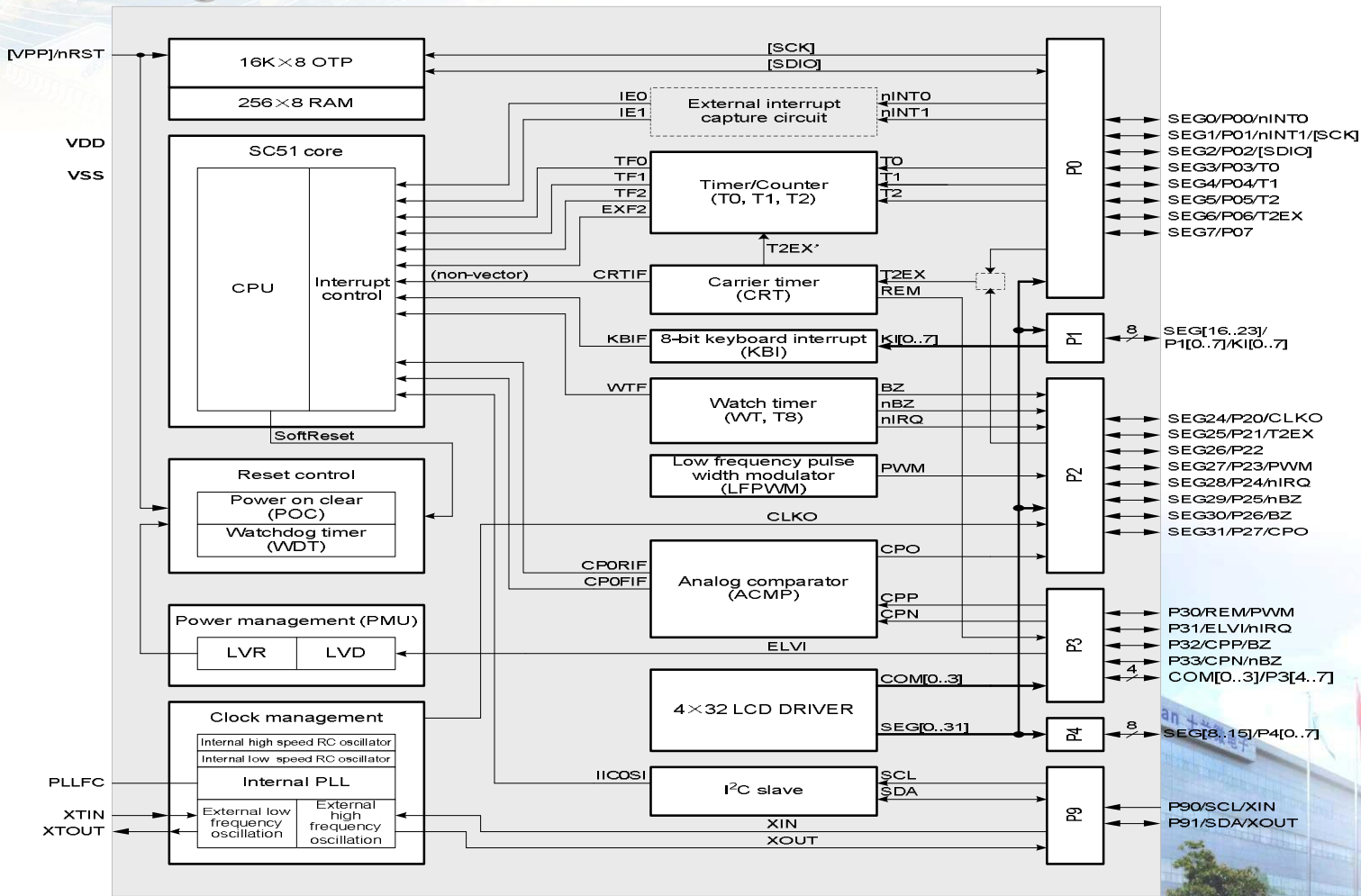
- ✧ 8-bit CPU: SC51
- ✧ 16K OTP program memory
- ✧ 256 Bytes data memory
- ✧ 32 SEG x 4COM LCD control/drive
- ✧ Building Watch Timer
- ✧ Integrated PLL
- ✧ Building POC, LVD, LVR
- ✧ Support in-system program (ISP)
- ✧ Operating voltage range: 1.8~3.6V; quiescent current is less than 1 μ A.
- ✧ Package: QFP-48-12X12-0.8, QFP-44-10 \times 10-0.8
- ✧ Typical application: Air-condition Remote Control





LCD Remote Control

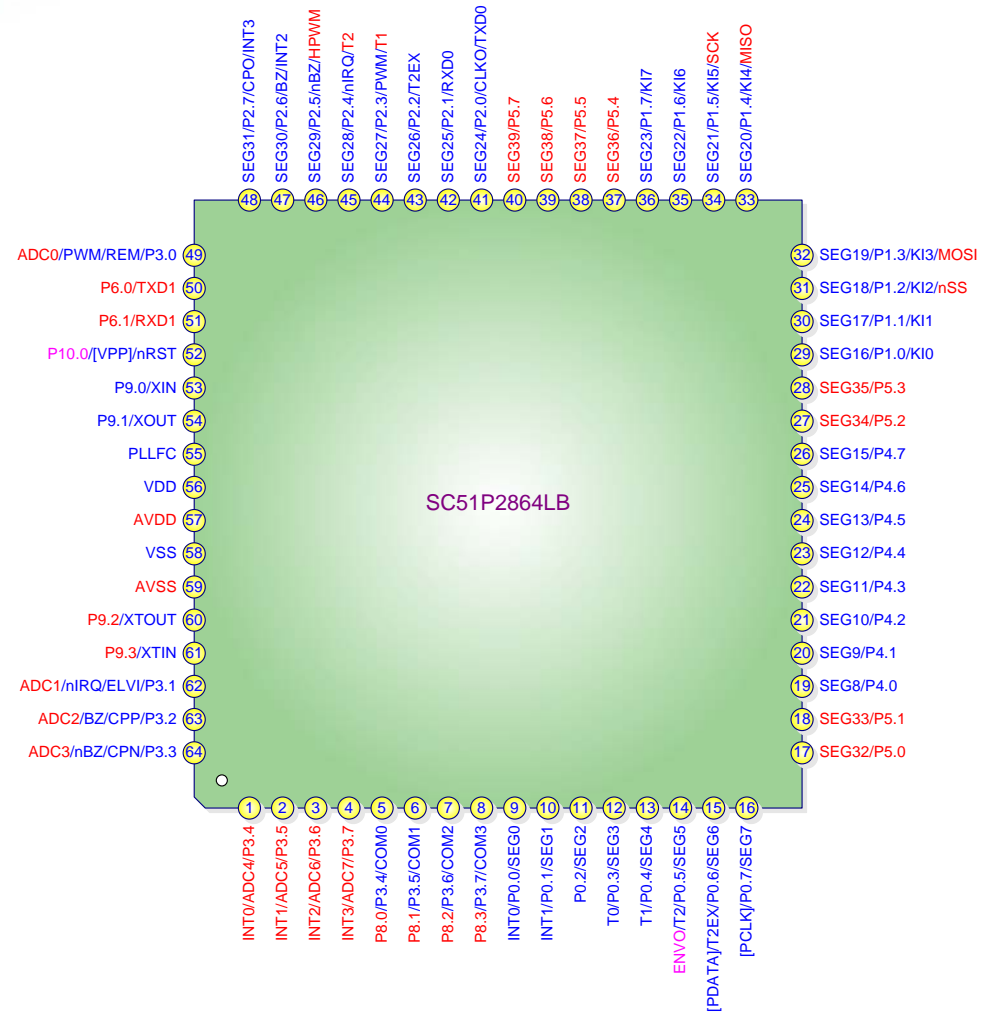
Block Diagram of SC51P1816





SC51P2864

- ✚ Application: Media Control; Health Equipment
- ✚ 64K OTP
- ✚ LCD Driver: 40SEG X4COM
- ✚ 10-Bit ADC: 8-Channel
- ✚ Analog Amplifier
- ✚ Supports ISP, needs 5 pins only
- ✚ Idle current with LCD ON: 8uA
- ✚ Package: LQFP64





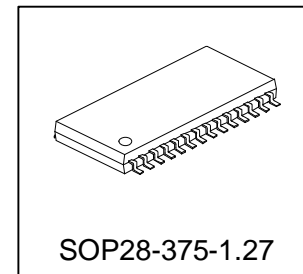
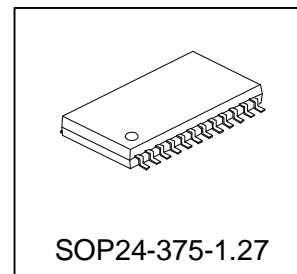
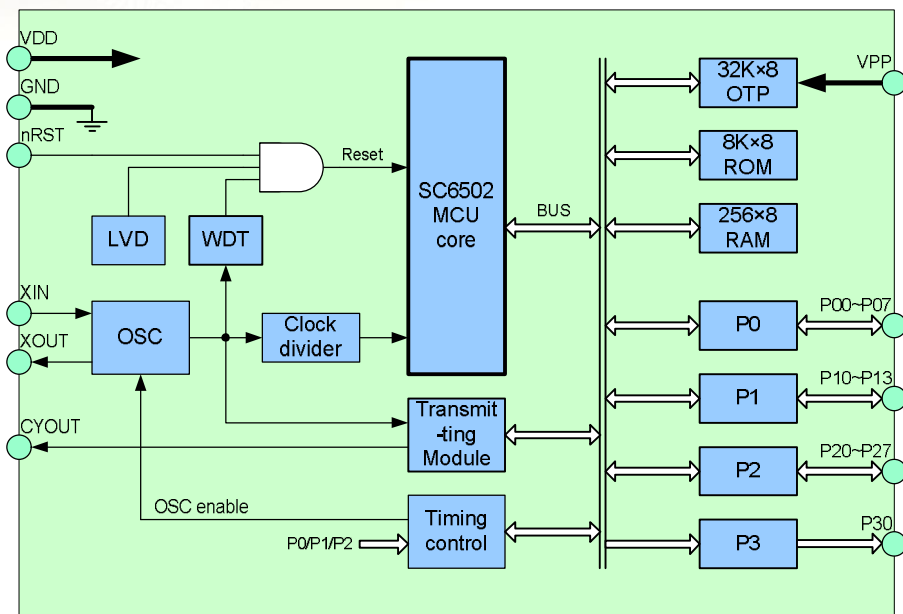
Brief introduction to SC65D02P40

- ✧ Adopt SC65x MCU Core.
- ✧ Integrate **code transmitting circuit** supporting high precision code transmitting.
- ✧ Up to 20 pins for keyboard.
- ✧ SC65D02P40 was **embedded transmitting program**, witch can simplify the soft design.
- ✧ Compatible with SC65D02C40, the code in the SC65D02P40 can be executed as mask code for producing SC65D02C40 directly.
- ✧ SC65D02P40 integrates **8K ROM and 32K OTP** memory which is suitable for developing sample or small batch production. SC65D02C40 integrates 40K ROM which is suitable for mass production to reduce the cost.
- ✧ Operating voltage is 1.8V~3.6V, quiescent current is less than 1 μ A.
- ✧ **Typical application: preset universal remote control.**



Remote Control

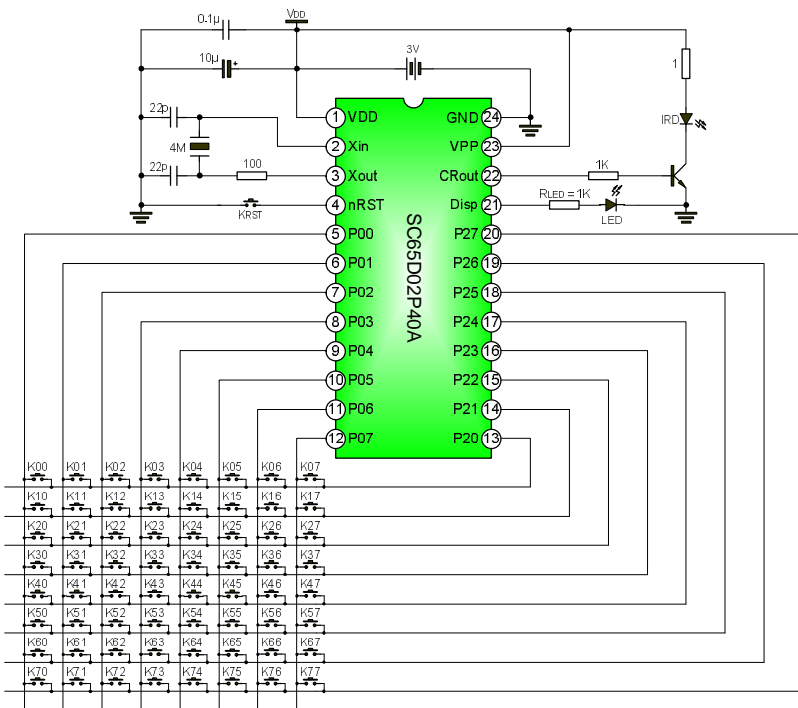
Block Diagram and Package of SC65D02P40



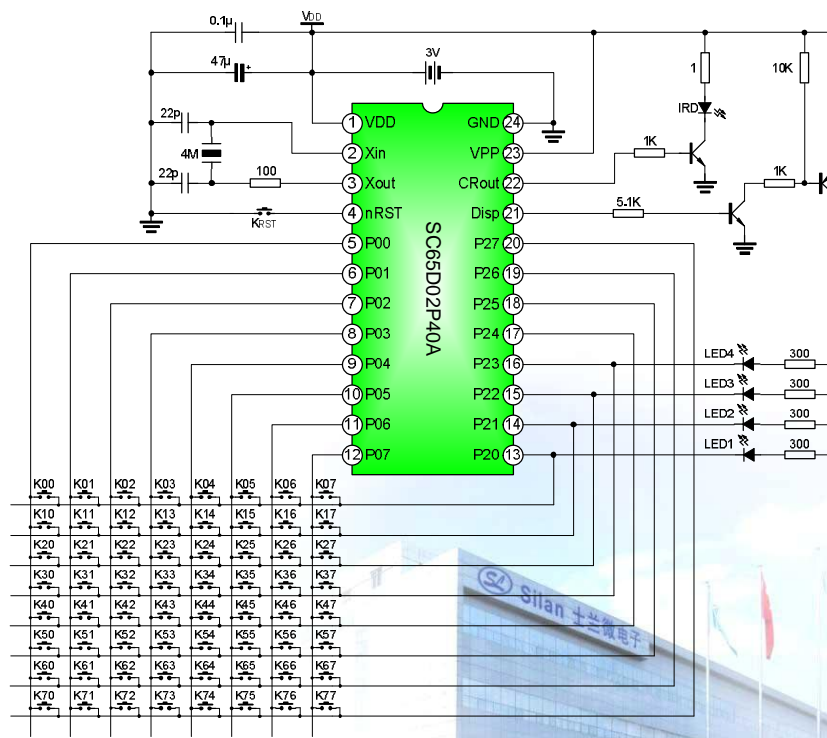


Application Circuits of SC65D02P40

◆ One LED Indicator



◆ Multiply LED Indicator





Brief Introduction to SC51D01Fxx

- ✧ Adopt S51 MCU core, compatible with standard MCS-51 instruction set.
- ✧ Built-in 16K/32K/64K bytes FLASH program memory (can also be used for data storage).
- ✧ Built-in 320 bytes RAM and 4K bytes XRAM.
- ✧ Integrate **infrared amplifier**.
- ✧ Integrate **code sampling circuit** supporting code sampling with carrier.
- ✧ Integrate **code transmitting circuit** supporting high precision code transmitting.
- ✧ 8 keyboard input pins.
- ✧ Support **in-system program** (ISP).
- ✧ Operating voltage is 2.2V~3.6V, quiescent current is less than 1 μ A.
- ✧ Typical application: self-learning remote control, self-learning + preset remote control.