



**Type: NSO-09XRE-06L-100x15.2**

**Diameter:  $\Phi$ 100mm**

**Height: 15.2mm**

**Fov: 6°**

**Material: Optical grade Acrylic plastic**

**Up to 93% efficiency**

**LED Series: CREE XLamp XR**

Applications:

Reading lights(car, bus, aircraft)

Portable (flashlight, bicycle)

Mini-accent/Decorative/Fiber Optics Alternative

Undershelf / Task Lighting

Indoor and Outdoor Commercial and Residential Architectural lighting

• Operating Temperature range  $-40^{\circ}\text{C} \sim +70^{\circ}\text{C}$  (upper limit  $+80^{\circ}\text{C}$ )

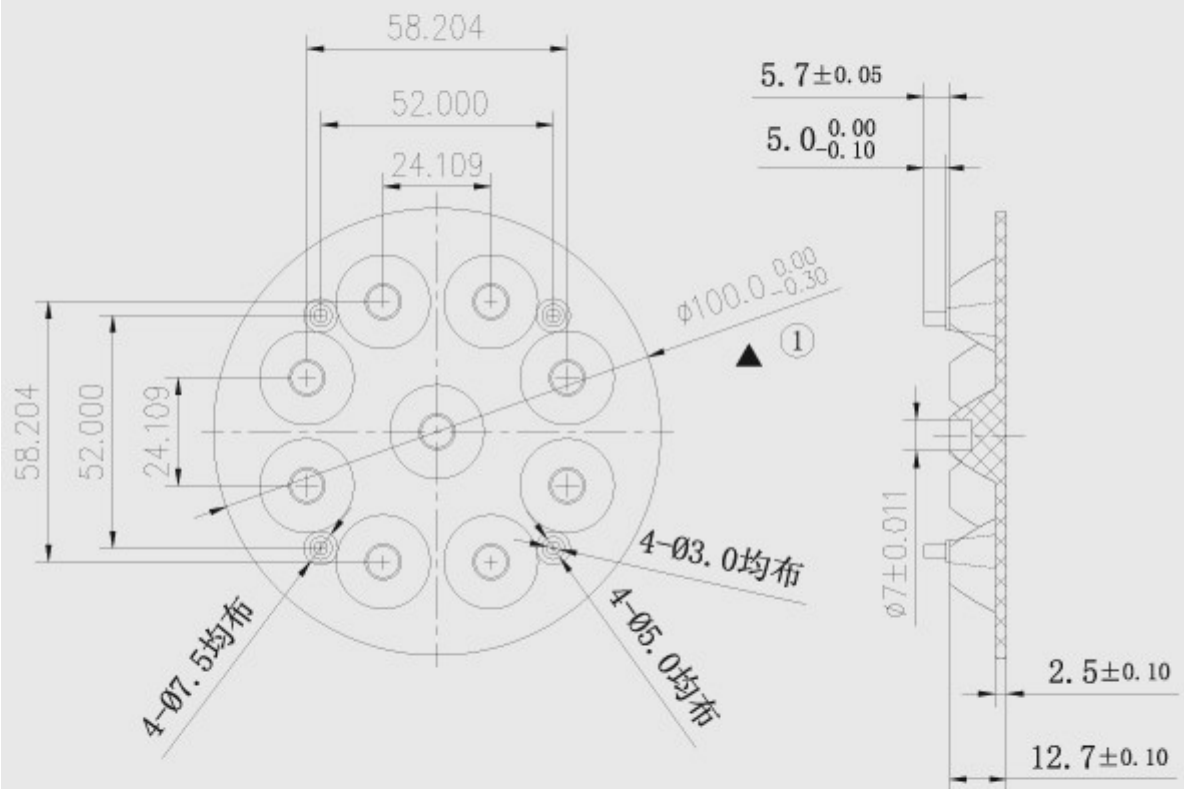
• Storage Temperature range  $-40^{\circ}\text{C} \sim +70^{\circ}\text{C}$  (upper limit  $+80^{\circ}\text{C}$ )

• Usage and Maintenance :

1. If necessary, clean lenses with mild soap, water and soft cloth

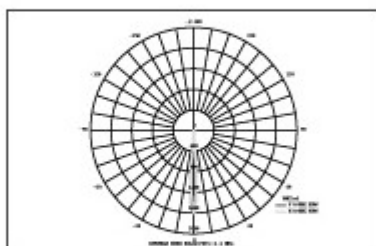
2. Never use any commercial cleaning solvents on lenses, like alcohol

# Lens dimensions and Top Views



# Light Distribution Curve

NAME: NSO-09XRE-06L-100x15.2	TYPE: 灯具	WEIGHT: 1
DIMENSION: 1	SPECIFICATION: 10	SERIAL No.: 0
MANUFACTURER: :	SURFACE: 1	PROTECTION ANGLE: 0



DATA OF LAMP		PHOTOMETRIC DATA	
MODEL	CREE-XRE	Imax(cd)	1604
NOMINAL POWER(W)	1	AVAILABILITY(%)	28.8
RATED VOLTAGE(V)	3.43	Avai. FLUX(lm)	22.37
NOMINAL FLUX(lm)	77.600	EFFICIENCY(%)	88.1
LAMPS INSIDE	1	TOTAL FLUX(lm)	68.39
TEST VOLTAGE(V)	3.43	• 950%(H,V)	6,7DEG

AREA FLUX DIAGRAM																	UNIT: lm			•	t	•	a
90	0.00	0.00	0.00	0.01	0.01	0.01	0.01	0.01	0.01	0.01	0.01	0.01	0.01	0.01	0.01	0.01	0.00	0.00	0.00	0.10	0.00		
80	0.00	0.00	0.00	0.01	0.01	0.01	0.02	0.02	0.02	0.02	0.02	0.01	0.01	0.01	0.01	0.00	0.00	0.00	0.17	0.00			
70	0.00	0.00	0.01	0.01	0.02	0.02	0.03	0.03	0.03	0.03	0.03	0.02	0.02	0.01	0.01	0.00	0.00	0.29	0.00				
60	0.00	0.00	0.01	0.01	0.02	0.04	0.05	0.06	0.07	0.07	0.06	0.05	0.03	0.02	0.01	0.01	0.00	0.53	0.00				
50	0.00	0.00	0.01	0.02	0.04	0.07	0.10	0.14	0.15	0.15	0.13	0.10	0.06	0.03	0.02	0.01	0.00	1.03	0.00				
40	0.00	0.00	0.01	0.03	0.06	0.11	0.17	0.25	0.32	0.31	0.23	0.16	0.11	0.05	0.02	0.01	0.00	1.87	0.00				
30	0.00	0.00	0.01	0.03	0.08	0.15	0.35	0.64	0.79	0.77	0.59	0.30	0.15	0.08	0.03	0.01	0.00	4.01	0.00				
20	0.00	0.00	0.01	0.04	0.09	0.21	0.62	1.02	1.35	1.31	0.97	0.56	0.20	0.10	0.04	0.01	0.00	6.56	0.00				
10	0.00	0.00	0.01	0.04	0.10	0.28	0.76	1.34	1.88	1.68	1.32	0.72	0.26	0.11	0.04	0.01	0.00	19.9	11.4				
0	0.00	0.00	0.01	0.04	0.09	0.28	0.75	1.31	1.81	1.46	1.30	0.72	0.26	0.11	0.04	0.01	0.00	19.6	11.0				
-10	0.00	0.00	0.01	0.04	0.09	0.20	0.59	0.99	1.42	1.39	0.95	0.54	0.18	0.10	0.04	0.01	0.00	6.56	0.00				
-20	0.00	0.00	0.01	0.03	0.08	0.12	0.32	0.63	0.84	0.83	0.59	0.27	0.13	0.08	0.03	0.01	0.00	3.98	0.00				
-30	0.00	0.00	0.01	0.02	0.06	0.10	0.13	0.23	0.33	0.32	0.21	0.13	0.10	0.05	0.02	0.01	0.00	1.75	0.00				
-40	0.00	0.00	0.01	0.02	0.03	0.06	0.10	0.12	0.13	0.13	0.12	0.10	0.06	0.03	0.02	0.01	0.00	0.95	0.00				
-50	0.00	0.00	0.01	0.01	0.02	0.03	0.05	0.07	0.08	0.08	0.06	0.05	0.03	0.02	0.01	0.01	0.00	0.54	0.00				
-60	0.00	0.00	0.01	0.01	0.02	0.02	0.03	0.03	0.03	0.03	0.03	0.03	0.02	0.02	0.01	0.01	0.00	0.29	0.00				
-70	0.00	0.00	0.00	0.01	0.01	0.01	0.01	0.01	0.02	0.02	0.02	0.02	0.01	0.01	0.01	0.01	0.00	0.17	0.00				
-80	0.00	0.00	0.00	0.01	0.01	0.01	0.01	0.01	0.01	0.01	0.01	0.01	0.01	0.01	0.01	0.01	0.00	0.10	0.00				
-90	0.00	0.00	0.00	0.01	0.01	0.01	0.01	0.01	0.01	0.01	0.01	0.01	0.01	0.01	0.01	0.01	0.00	0.10	0.00				
• t	0.01	0.05	0.16	0.39	0.83	1.73	4.09	6.92	22.0	18.6	6.65	3.82	1.67	0.87	0.39	0.16	0.05	0.01	68	---			
• a	0.00	0.00	0.00	0.00	0.00	0.00	0.00	0.00	12.9	9.47	0.00	0.00	0.00	0.00	0.00	0.00	0.00	0.00	---	22			

H( ) Range: -90 - 90DEG  
 H( ) Interval: 0.5DEG  
 Test Speed: HIGH  
 Temperature: 25.3DEG  
 Operators:  
 Test Date: 2009-10-14

V(B) Range: -90 - 90DEG  
 V(B) Interval: 0.5DEG  
 Test System: EVERFINE GO-SPEC316 SYSTEM V1.0.254  
 Humidity: 65.0%  
 Test Distance: 3.160m [K=1.0000]  
 Remarks: