



**Type: NSO-01XRE-07L-22.4x13.6**

**Diameter:  $\Phi$ 22.4mm**

**Height: 13.6mm**

**Fov: 07°**

**Material: Optical grade Acrylic plastic**

**Up to 93% efficiency**

**LED Series: CREE XRE**

Applications:

Reading lights(car, bus, aircraft)

Portable (flashlight, bicycle)

Mini-accent/Decorative/Fiber Optics Alternative

Undershelf / Task Lighting

Indoor and Outdoor Commercial and Residential Architectural lighting

• Operating Temperature range  $-40^{\circ}\text{C} \sim +70^{\circ}\text{C}$  (upper limit  $+80^{\circ}\text{C}$ )

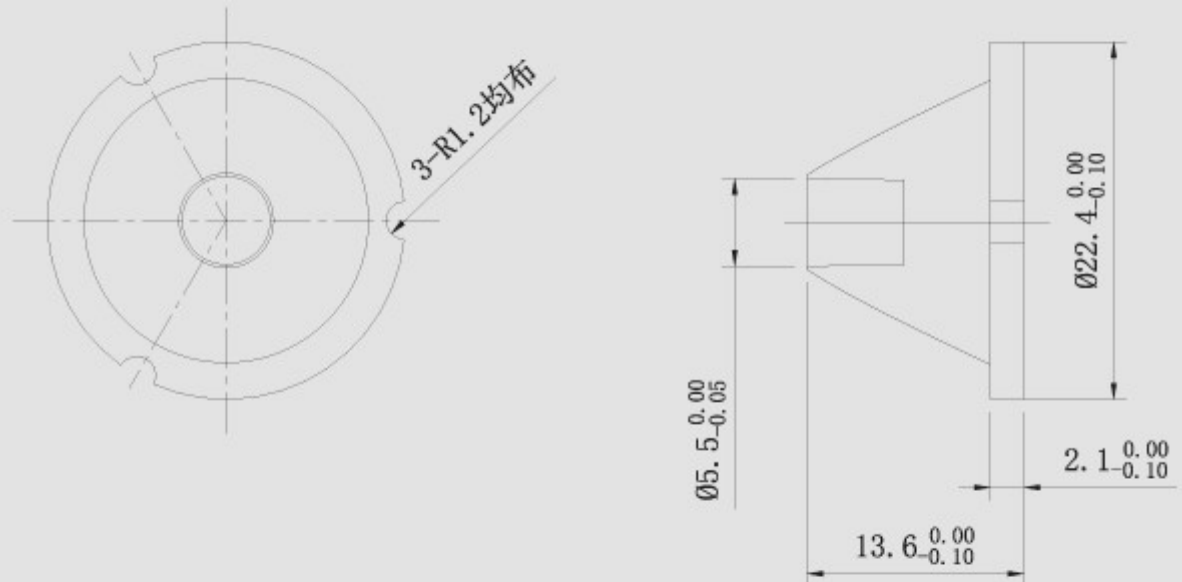
• Storage Temperature range  $-40^{\circ}\text{C} \sim +70^{\circ}\text{C}$  (upper limit  $+80^{\circ}\text{C}$ )

• Usage and Maintenance :

1. If necessary, clean lenses with mild soap, water and soft cloth

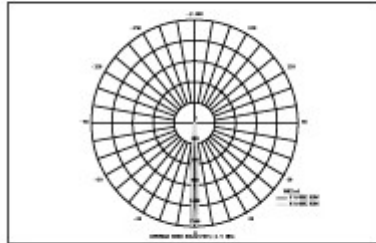
2. Never use any commercial cleaning solvents on lenses, like alcohol

## Lens dimensions and Top Views



# Light Distribution Curve

NAME:	TYPE:	WEIGHT:
DIMENSION:	SPECIFICATION:	SERIAL No.:
MANUFACTURER:	SURFACE:	PROTECTION ANGLE:



DATA OF LAMP		PHOTOMETRIC DATA	
MODEL	CREE-XRE	Imax(cd)	1451
NOMINAL POWER(W)	4	AVAILABILITY(t)	38.6
RATED VOLTAGE(V)	3.39	Avai. FLUX(lm)	26.44
NOMINAL FLUX(lm)	68.520	EFFICIENCY(%)	91.1
LAMP'S INSIDE	1	TOTAL FLUX(lm)	62.44
TEST VOLTAGE(V)	3.39	• @50%(H,V)	6,7DEG

AREA FLUX DIAGRAM																			UNIT: lm		
VERTICAL (DEG)																			t	a	
	90	0.00	0.00	0.01	0.01	0.01	0.02	0.02	0.02	0.02	0.02	0.02	0.02	0.02	0.01	0.01	0.01	0.00	0.00	0.24	0.00
80	0.00	0.00	0.01	0.01	0.02	0.02	0.03	0.03	0.03	0.03	0.03	0.03	0.02	0.02	0.01	0.01	0.00	0.00	0.32	0.00	
70	0.00	0.00	0.01	0.02	0.02	0.03	0.03	0.04	0.04	0.04	0.04	0.04	0.03	0.02	0.02	0.01	0.00	0.00	0.41	0.00	
60	0.00	0.01	0.01	0.02	0.03	0.04	0.05	0.05	0.06	0.06	0.05	0.05	0.04	0.03	0.02	0.01	0.01	0.00	0.52	0.00	
50	0.00	0.01	0.01	0.02	0.03	0.05	0.07	0.09	0.10	0.10	0.09	0.07	0.05	0.03	0.02	0.01	0.01	0.00	0.75	0.00	
40	0.00	0.01	0.01	0.02	0.04	0.07	0.13	0.18	0.21	0.21	0.17	0.12	0.07	0.04	0.03	0.01	0.01	0.00	1.33	0.00	
30	0.00	0.01	0.01	0.03	0.05	0.11	0.20	0.31	0.40	0.37	0.28	0.19	0.11	0.05	0.03	0.01	0.01	0.00	2.19	0.00	
20	0.00	0.01	0.01	0.03	0.06	0.15	0.30	0.80	1.42	1.23	0.59	0.27	0.15	0.06	0.03	0.02	0.01	0.00	5.12	0.00	
10	0.00	0.01	0.02	0.03	0.07	0.17	0.40	1.51	3.0	2.08	1.27	0.36	0.17	0.07	0.03	0.02	0.01	0.00	21.2	14.3	
0	0.00	0.01	0.02	0.03	0.07	0.17	0.40	1.46	2.95	2.25	1.27	0.36	0.16	0.07	0.03	0.02	0.01	0.00	19.3	12.1	
-10	0.00	0.01	0.02	0.03	0.06	0.15	0.29	0.81	1.55	1.42	0.62	0.26	0.14	0.06	0.03	0.01	0.01	0.00	5.45	0.00	
-20	0.00	0.01	0.01	0.03	0.05	0.11	0.19	0.31	0.46	0.44	0.28	0.17	0.10	0.05	0.03	0.01	0.01	0.00	2.24	0.00	
-30	0.00	0.01	0.01	0.02	0.04	0.07	0.12	0.17	0.21	0.20	0.16	0.10	0.06	0.04	0.02	0.01	0.01	0.00	1.28	0.00	
-40	0.00	0.01	0.01	0.02	0.03	0.05	0.07	0.09	0.10	0.10	0.08	0.06	0.04	0.03	0.02	0.01	0.01	0.00	0.74	0.00	
-50	0.00	0.01	0.01	0.02	0.03	0.04	0.05	0.05	0.06	0.06	0.05	0.04	0.03	0.02	0.02	0.01	0.00	0.00	0.50	0.00	
-60	0.00	0.01	0.01	0.02	0.02	0.03	0.03	0.04	0.04	0.04	0.03	0.03	0.02	0.02	0.01	0.01	0.00	0.00	0.37	0.00	
-70	0.00	0.00	0.01	0.02	0.02	0.03	0.03	0.03	0.03	0.03	0.02	0.02	0.02	0.01	0.01	0.01	0.00	0.00	0.29	0.00	
-80	0.00	0.00	0.01	0.01	0.02	0.02	0.02	0.02	0.02	0.02	0.02	0.01	0.01	0.01	0.01	0.00	0.00	0.00	0.21	0.00	
-90	0.00	0.00	0.01	0.01	0.02	0.02	0.02	0.02	0.02	0.02	0.02	0.01	0.01	0.01	0.01	0.00	0.00	0.00	0.21	0.00	
	-90	-80	-70	-60	-50	-40	-30	-20	HORIZONTAL (DEG)	20	30	40	50	60	70	80	90				
t	0.03	0.10	0.22	0.39	0.69	1.31	2.41	6.01	23.7	17.7	5.10	2.20	1.23	0.65	0.37	0.21	0.10	0.02	62	---	
a	0.00	0.00	0.00	0.00	0.00	0.00	0.00	0.00	16.3	10.1	0.00	0.00	0.00	0.00	0.00	0.00	0.00	0.00	---	26	

H( ) Range: -90 - 90DEG  
 H( ) Interval: 0.5DEG  
 Test Speed: HIGH  
 Temperature: 25.3DEG  
 Operators:  
 Test Date: 2009-10-07

V(B) Range: -90 - 90DEG  
 V(B) Interval: 0.5DEG  
 Test System: EVERFINE GO-SPEC316 SYSTEM V1.0.254  
 Humidity: 65.0%  
 Test Distance: 3.160m [K=1.0000]  
 Remarks: