



Type: NSO-01XPG-20L-11x6.9

Diameter: Φ 11mm

Height: 6.9mm

Fov: 20°

Material: Optical grade Acrylic plastic

Up to 93% efficiency

LED Series: XPE, XPG (CREE)

Applications:

Reading lights(car, bus, aircraft)

Portable (flashlight, bicycle)

Mini-accent/Decorative/Fiber Optics Alternative

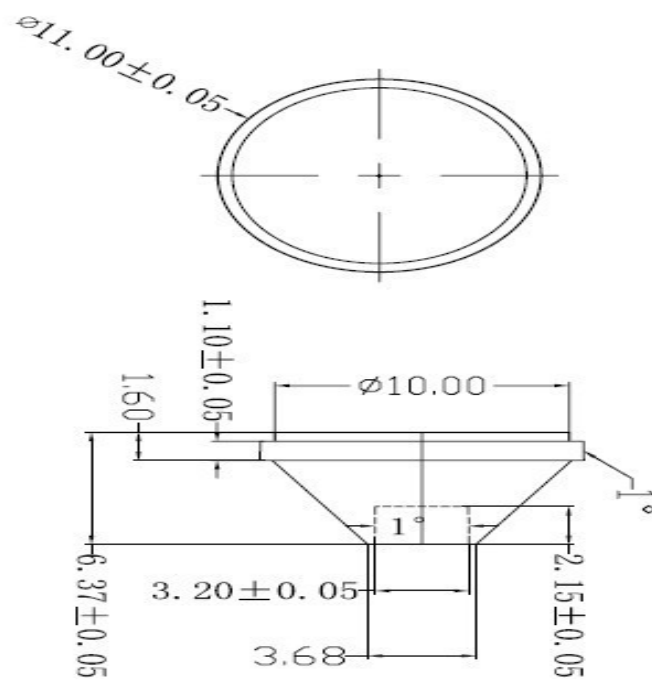
Undershelf / Task Lighting

Indoor and Outdoor Commercial and Residential Architectural lighting

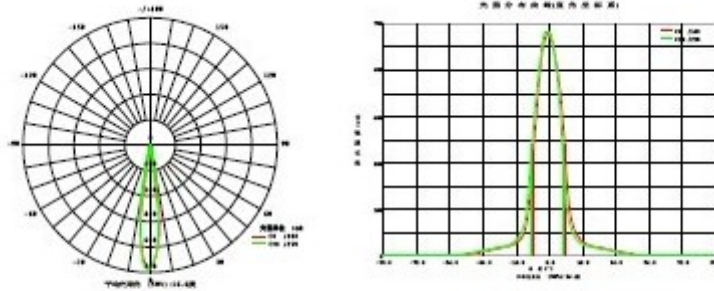
• Operating Temperature range $-40^{\circ}\text{C} \sim +70^{\circ}\text{C}$ (upper limit $+80^{\circ}\text{C}$)

• Storage Temperature range $-40^{\circ}\text{C} \sim +70^{\circ}\text{C}$ (upper limit $+80^{\circ}\text{C}$)

Lens dimensions and Top Views



Light Distribution Curve



光强分布数据 : (角度°, 光强cd) C0 /180

角度	光强	角度	光强	角度	光强	角度	光强	角度	光强	角度	光强
-180.0	0.9299	-117.0	0.0214	-54.0	1.655	9.0	291.1	72.0	0.5559	135.0	0.0768
-177.0	0.8700	-114.0	0.0215	-51.0	1.818	12.0	116.8	75.0	0.5093	138.0	0.1010
-174.0	0.8421	-111.0	0.0367	-48.0	2.198	15.0	66.94	78.0	0.4672	141.0	0.1198
-171.0	0.8355	-108.0	0.0946	-45.0	4.156	18.0	45.59	81.0	0.4271	144.0	0.1600
-168.0	0.8083	-105.0	0.1329	-42.0	7.203	21.0	35.31	84.0	0.3886	147.0	0.2218
-165.0	0.7709	-102.0	0.1985	-39.0	10.76	24.0	30.31	87.0	0.3504	150.0	0.3219
-162.0	0.7363	-99.0	0.2806	-36.0	13.91	27.0	26.71	90.0	0.3149	153.0	0.4455
-159.0	0.6772	-96.0	0.2889	-33.0	17.44	30.0	23.14	93.0	0.3033	156.0	0.5846
-156.0	0.5771	-93.0	0.3048	-30.0	20.68	33.0	19.53	96.0	0.2457	159.0	0.7314
-153.0	0.4594	-90.0	0.3263	-27.0	24.45	36.0	16.06	99.0	0.2148	162.0	0.8659
-150.0	0.3436	-87.0	0.3738	-24.0	28.54	39.0	12.53	102.0	0.1671	165.0	0.9704
-147.0	0.2427	-84.0	0.4030	-21.0	32.46	42.0	8.997	105.0	0.1213	168.0	1.047
-144.0	0.1680	-81.0	0.4412	-18.0	42.25	45.0	5.571	108.0	0.0783	171.0	1.064
-141.0	0.1214	-78.0	0.4777	-15.0	59.71	48.0	3.110	111.0	0.0326	174.0	1.027
-138.0	0.1018	-75.0	0.5182	-12.0	117.8	51.0	2.056	114.0	0.0252	177.0	0.9644
-135.0	0.0803	-72.0	0.5630	-9.0	309.5	54.0	1.738	117.0	0.0234	180.0	0.9356
-132.0	0.0691	-69.0	0.7320	-6.0	535.5	57.0	1.508	120.0	0.0299		
-129.0	0.0542	-66.0	1.028	-3.0	688.3	60.0	1.302	123.0	0.0327		
-126.0	0.0476	-63.0	1.156	0.0	722.6	63.0	1.210	126.0	0.0430		
-123.0	0.0392	-60.0	1.298	3.0	651.8	66.0	0.8952	129.0	0.0561		
-120.0	0.0308	-57.0	1.459	6.0	528.1	69.0	0.6360	132.0	0.0664		

电学参数 :

工作电压 : 3.240 V 工作电流 : 0.3500 A
 电功率 : 1.134 W 功率因数 : 1.000

光学参数 (测试距离 : 6.050m) :

总光通量 : $\Phi_t = 97.84 \text{ lm}$ 光效 : $\text{Eff} = 86.28 \text{ lm/W}$
 平均光强扩散角 : $\theta(25\%) : 21.2^\circ$ $\theta(50\%) : 16.6^\circ$ $\theta(75\%) : 11.7^\circ$ $\theta(10\%) : 28.9^\circ$
 C0 /180 : $\theta(25\%) : 21.3^\circ$ $\theta(50\%) : 16.7^\circ$ $\theta(75\%) : 11.8^\circ$ $\theta(10\%) : 29.0^\circ$
 C0 /180 Imax = 722.6 cd ($\theta=0.0^\circ$) $I_0 = 722.6 \text{ cd}$

H(β)角度范围 : -90度 - 90度 V(β)角度范围 : -180度 - 180度
 H(β)角度间隔 : 0.5度 V(β)角度间隔 : 0.5度
 测试速度 : 快速 测试系统 : 远方 (EVERFINE) GO-2000E_V1系统 V1.0.257
 环境温度 : 25.3℃ 环境湿度 : 65.0%
 测试人员 : 测试距离 : 6.050米 [K=1.0000]
 测试日期 : 2010-05-31 备注 :