



**Type: NSO-01XML-67125L-22x18x10.1**

**Diameter: 22x18mm**

**Height:10.1mm**

**Fov:67°\*125°**

**Material:Optical Grade Polycarbonate**

**Up to 90.7% efficiency**

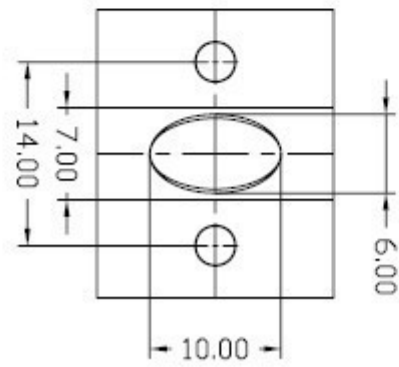
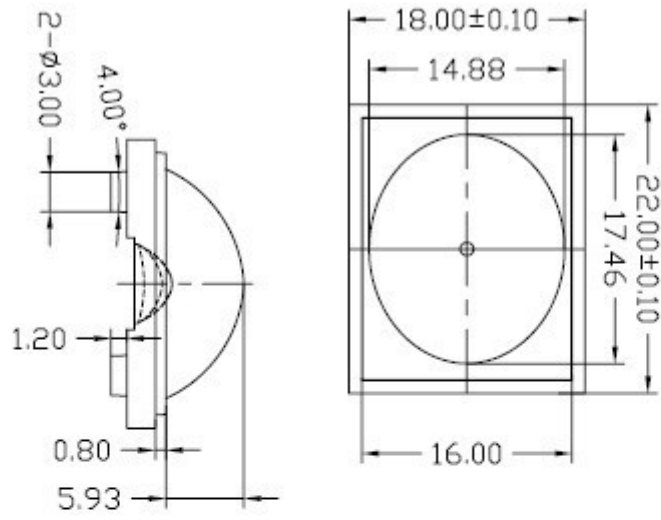
**LED Series:CREE XM-L**

**Applications:**

**Streetlight**

- Operating Temperature range  $-40^{\circ}\text{C} \sim +70^{\circ}\text{C}$  (upper limit  $+80^{\circ}\text{C}$ )
- Storage Temperature range  $-40^{\circ}\text{C} \sim +70^{\circ}\text{C}$  (upper limit  $+80^{\circ}\text{C}$ )
- Usage and Maintenance :
  1. If necessary, clean lenses with mild soap, water and soft cloth
  2. Never use any commercial cleaning solvents on lenses, like alcohol

# Lens dimensions and Top Views



# Light Distribution Curve

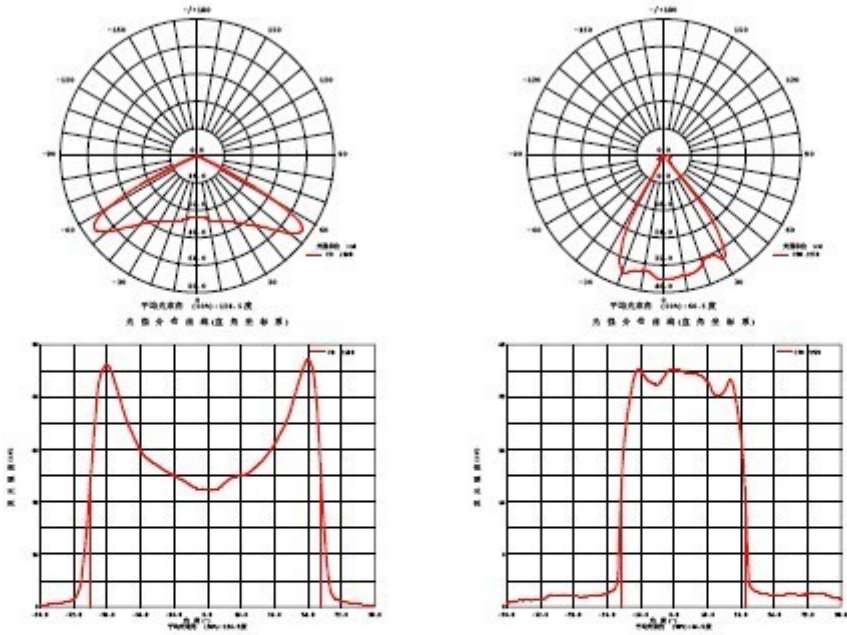


Fig. C0/C180

Fig. C90/C270