

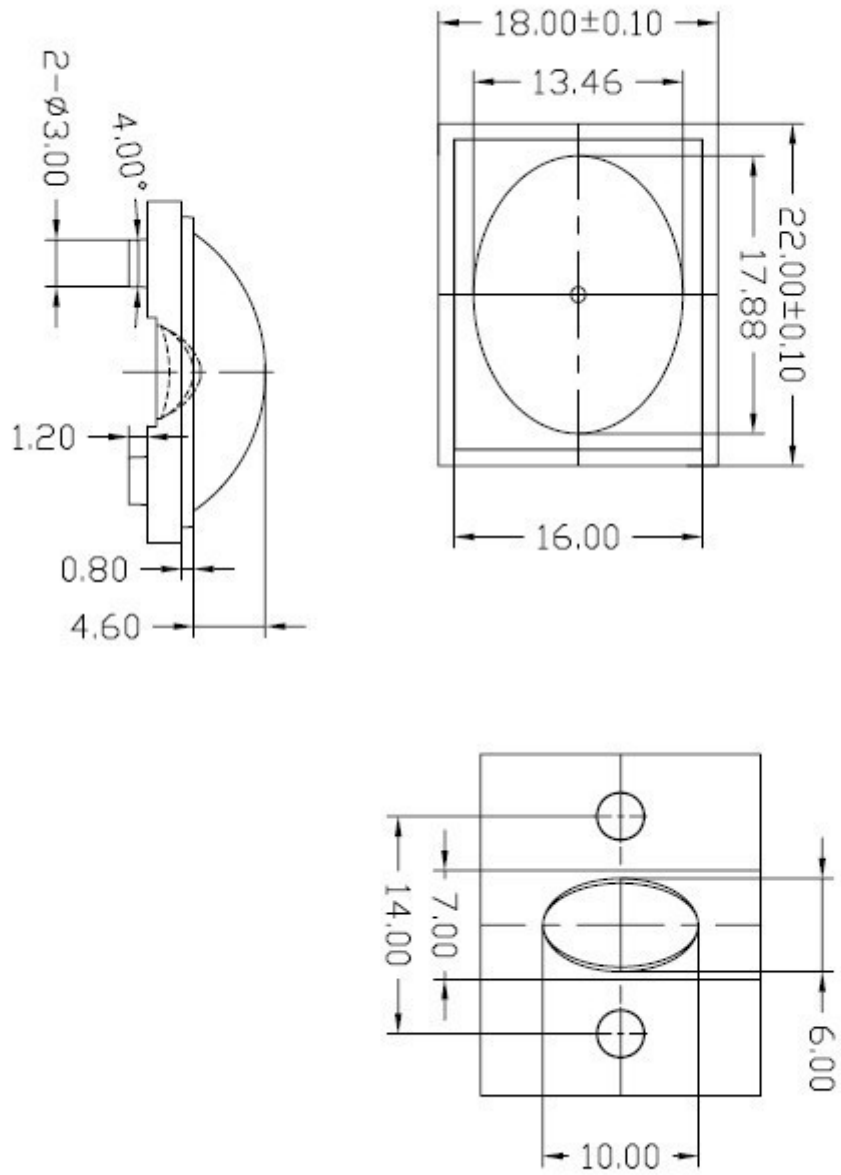


**Type: NSO-01XML-65138L-22x18x9**  
**Diameter: 22x18mm**  
**Height:9mm**  
**Fov:65°\*138°**  
**Material:Optical Grade Polycarbonate**  
**Up to 90.7% efficiency**  
**LED Series:CREE XM-L**

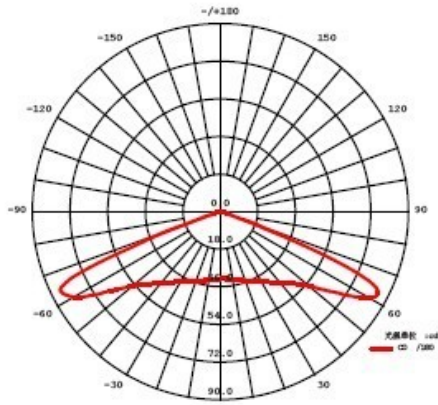
**Applications:**  
**Streetlight**

- Operating Temperature range  $-40^{\circ}\text{C} \sim +70^{\circ}\text{C}$  (upper limit  $+80^{\circ}\text{C}$ )
- Storage Temperature range  $-40^{\circ}\text{C} \sim +70^{\circ}\text{C}$  (upper limit  $+80^{\circ}\text{C}$ )
- Usage and Maintenance :
  1. If necessary, clean lenses with mild soap, water and soft cloth
  2. Never use any commercial cleaning solvents on lenses, like alcohol

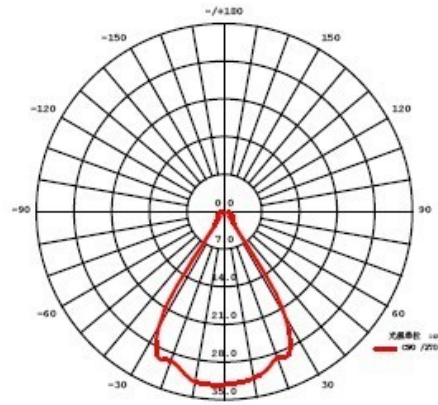
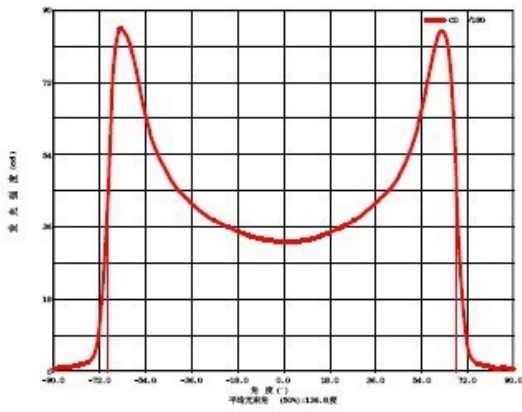
### Lens dimensions and Top Views



# Light Distribution Curve



光强分布曲线(直角坐标系)



光强分布曲线(直角坐标系)

