



Type: NSO-01MX-76137L-20x12x8

Diameter: 20x12mm

Height: 8mm

Fov: 76 x 137°

Material: Optical Grade Polycarbonate

Up to 90.7% efficiency

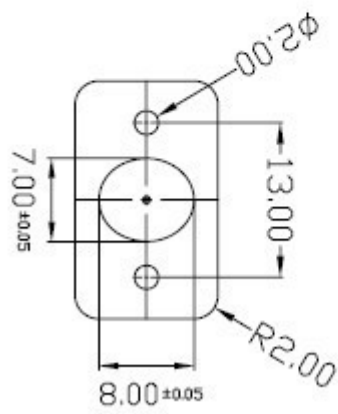
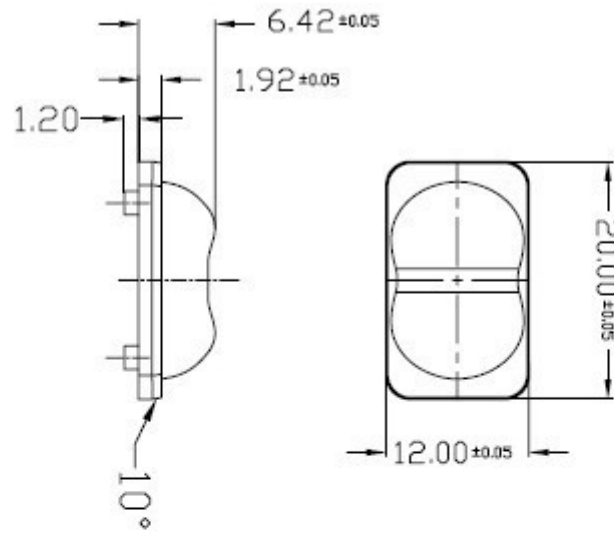
LED Series: CREE XM-6

Applications:

Streetlight

- Operating Temperature range $-40^{\circ}\text{C} \sim +70^{\circ}\text{C}$ (upper limit $+80^{\circ}\text{C}$)
- Storage Temperature range $-40^{\circ}\text{C} \sim +70^{\circ}\text{C}$ (upper limit $+80^{\circ}\text{C}$)
- Usage and Maintenance :
 1. If necessary, clean lenses with mild soap, water and soft cloth
 2. Never use any commercial cleaning solvents on lenses, like alcohol

Lens dimensions and Top Views



Light Distribution Curve

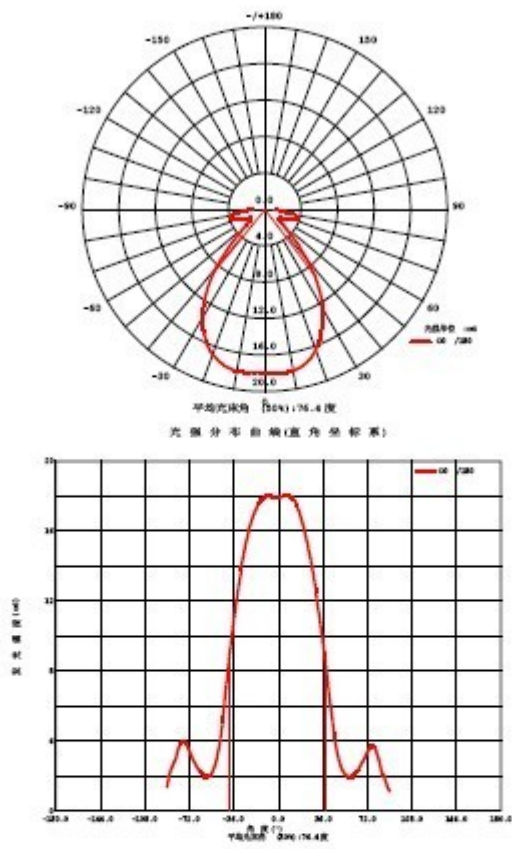


Fig. C0/C180

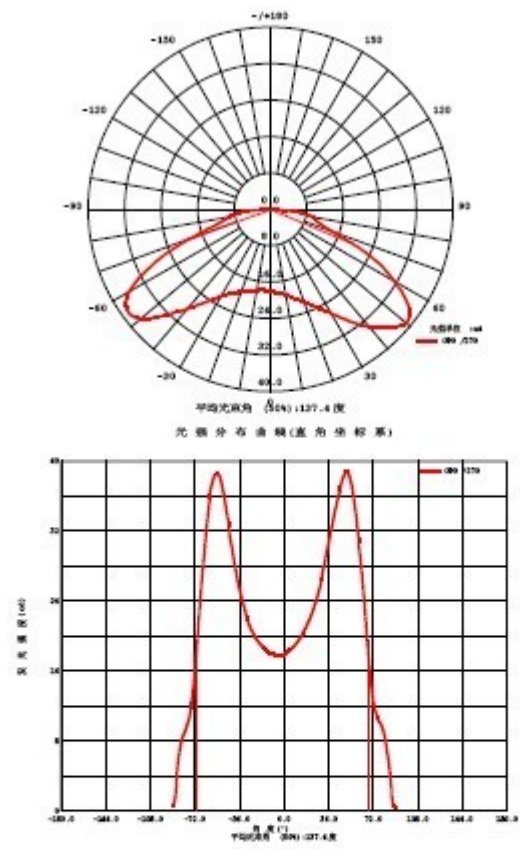


Fig. C90/C270