

Type: NSO-01EDA-1634L-19.5x10

Diameter: Φ 19.5mm

Height: 10mm

Fov: 16°*34°

Material: Optical grade Acrylic plastic

Up to 93% efficiency

LED Series: 1LA5 (Edison)

Applications:

Reading lights(car, bus, aircraft)

Portable (flashlight, bicycle)

Mini-accent/Decorative/Fiber Optics Alternative

Undershelf / Task Lighting

Indoor and Outdoor Commercial and Residential Architectural lighting

- Operating Temperature range -40°C ~ + 70°C (upper limit +80°C)

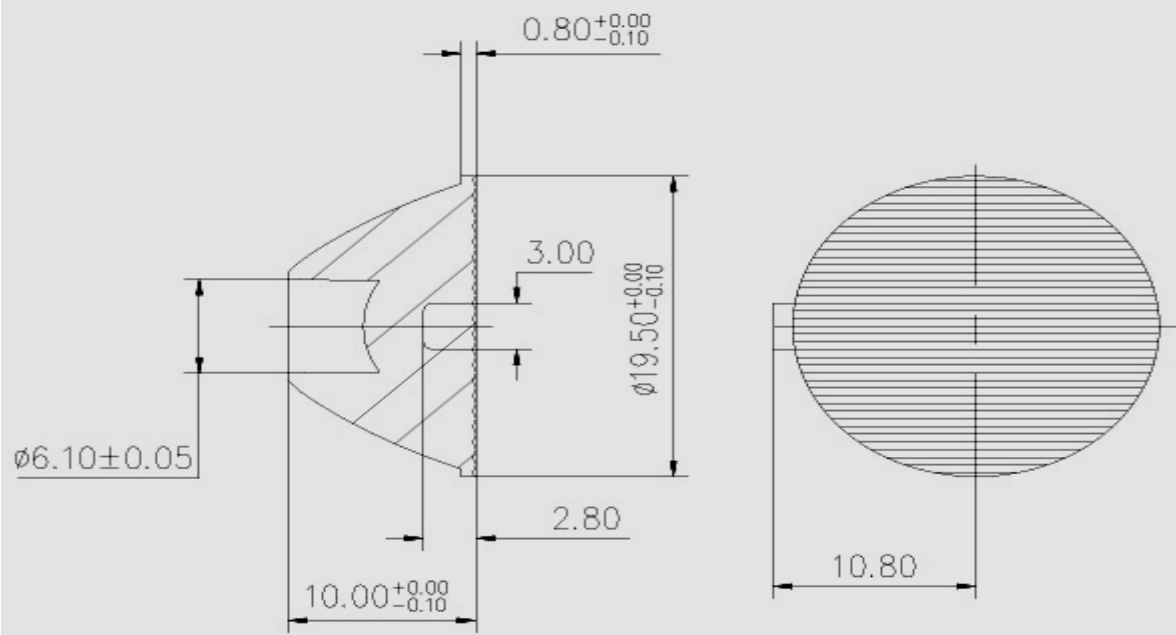
- Storage Temperature range -40°C ~ + 70°C (upper limit +80°C)

- Usage and Maintenance :

1. If necessary, clean lenses with mild soap, water and soft cloth

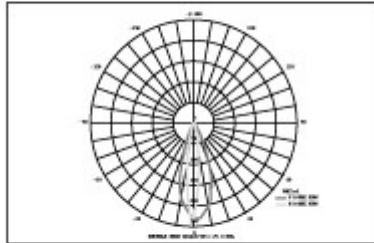
2. Never use any commercial cleaning solvents on lenses, like alcohol

Lens dimensions and Top Views



Light Distribution Curve

NAME:	TYPE: 灯具	WEIGHT: 1
DIMENSION: 1	SPECIFICATION: 10	SERIAL No.: 0
MANUFACTURER:	SURFACE: 1	PROTECTION ANGLE: 0



DATA OF LAMP		PHOTOMETRIC DATA	
MODEL	CREE-XRE	Imax(cd)	235.7
NOMINAL POWER(W)	1	AVAILABILITY(%)	62.4
RATED VOLTAGE(V)	3.36	Avai. FLUX(lm)	43.78
NOMINAL FLUX(lm)	70.200	EFFICIENCY(%)	88.9
LAMPS INSIDE	1	TOTAL FLUX(lm)	62.38
TEST VOLTAGE(V)	3.36	• 850% (H,V)	34,160%

AREA FLUX DIAGRAM																UNIT: lm				
																t	a			
90	0.00	0.01	0.01	0.02	0.02	0.02	0.02	0.02	0.02	0.02	0.02	0.02	0.02	0.02	0.02	0.01	0.01	0.00	0.30	0.00
80	0.00	0.01	0.01	0.02	0.02	0.03	0.03	0.03	0.03	0.03	0.03	0.03	0.02	0.02	0.01	0.01	0.00	0.39	0.00	
70	0.00	0.01	0.02	0.02	0.03	0.04	0.04	0.04	0.04	0.04	0.04	0.04	0.03	0.02	0.02	0.01	0.00	0.49	0.00	
60	0.00	0.01	0.02	0.03	0.04	0.04	0.05	0.05	0.05	0.05	0.05	0.04	0.04	0.03	0.02	0.01	0.00	0.59	0.00	
50	0.00	0.01	0.02	0.03	0.04	0.05	0.07	0.09	0.10	0.10	0.09	0.07	0.06	0.04	0.03	0.02	0.01	0.00	0.83	0.00
40	0.00	0.01	0.02	0.03	0.05	0.07	0.11	0.14	0.16	0.16	0.15	0.11	0.08	0.06	0.04	0.02	0.01	0.00	1.24	0.00
30	0.00	0.01	0.02	0.04	0.06	0.11	0.18	0.27	0.32	0.35	0.31	0.22	0.14	0.08	0.04	0.03	0.01	0.00	2.19	0.00
20	0.00	0.01	0.02	0.04	0.07	0.16	0.40	0.78	1.09	1.23	1.01	0.61	0.25	0.10	0.05	0.03	0.01	0.00	5.90	3.83
10	0.00	0.01	0.02	0.04	0.09	0.24	0.86	2.59	4.12	4.46	3.39	1.45	0.41	0.13	0.06	0.03	0.01	0.00	17.9	16.8
0	0.00	0.01	0.02	0.04	0.09	0.24	0.88	2.77	4.84	4.99	3.42	1.44	0.42	0.13	0.06	0.03	0.01	0.00	19.4	18.3
-10	0.00	0.01	0.02	0.04	0.07	0.17	0.43	0.93	1.48	1.46	1.01	0.61	0.26	0.10	0.05	0.03	0.01	0.00	6.70	4.88
-20	0.00	0.01	0.02	0.04	0.06	0.10	0.19	0.32	0.41	0.41	0.33	0.23	0.14	0.08	0.04	0.03	0.01	0.00	2.43	0.00
-30	0.00	0.01	0.02	0.03	0.05	0.07	0.10	0.14	0.17	0.17	0.16	0.12	0.08	0.06	0.04	0.03	0.01	0.00	1.27	0.00
-40	0.00	0.01	0.02	0.03	0.04	0.05	0.07	0.09	0.11	0.11	0.10	0.08	0.06	0.05	0.03	0.02	0.01	0.00	0.90	0.00
-50	0.00	0.01	0.02	0.02	0.03	0.04	0.05	0.06	0.06	0.06	0.06	0.05	0.05	0.04	0.03	0.02	0.01	0.00	0.63	0.00
-60	0.00	0.01	0.01	0.02	0.03	0.03	0.04	0.04	0.04	0.05	0.05	0.04	0.04	0.03	0.02	0.02	0.01	0.00	0.50	0.00
-70	0.00	0.01	0.01	0.02	0.02	0.03	0.03	0.03	0.03	0.03	0.03	0.03	0.03	0.03	0.02	0.01	0.01	0.00	0.39	0.00
-80	0.00	0.01	0.01	0.02	0.02	0.02	0.02	0.02	0.02	0.02	0.02	0.02	0.02	0.02	0.02	0.01	0.01	0.00	0.29	0.00
-90	0.00	0.01	0.01	0.02	0.02	0.02	0.02	0.02	0.02	0.02	0.02	0.02	0.02	0.02	0.02	0.01	0.01	0.00	0.29	0.00
	-90	-80	-70	-60	-50	-40	-30	-20	HORIZONTAL (DEG)	20	30	40	50	60	70	80	90			
t	0.06	0.18	0.33	0.53	0.84	1.53	3.58	8.44	13.1	13.8	10.3	5.24	2.16	1.05	0.62	0.39	0.20	0.06	62	---
a	0.00	0.00	0.00	0.00	0.00	0.00	1.54	6.66	11.4	12.0	8.49	3.49	0.19	0.00	0.00	0.00	0.00	0.00	---	44

H() Range: -90 - 90DEG
 H() Interval: 0.5DEG
 Test Speed: HIGH
 Temperature: 25.3DEG
 Operators:
 Test Date: 2009-10-13
 V(B) Range: -90 - 90DEG
 V(B) Interval: 0.5DEG
 Test System: EVERFINE GO-SPEC316 SYSTEM V1.0.254
 Humidity: 65.0%
 Test Distance: 3.160m [K=1.0000]
 Remarks: