

# LL03 3-in-1 Tri-Lens for Color Mixing

## Datasheet

For Edixeon® Multi-Color 3-in-1 and Single-Color LEDs

### Features:

- High efficiency
- Available in 3 beam Patterns
- Optimized for color mixing effects
- Lens alone



### Typical applications :

- Stage Lighting
- Street Lights
- Decorative Light
- Architectural Lighting
- Down Light



## Table of Contents

• General Information.....	2
• General Specifications.....	3
• Optical Specifications.....	3
• Mechanical Specifications.....	4
• Illumination charts.....	6
• Package Specifications.....	8
• Product Nomenclature.....	9

## General Information

### • Compatible Led Type :

The LL03ED-AZxxL Tri-lens are optimized for both Multi-Color RGB 3in1 Edixeon® LEDs (EDERTB-1LC6 and EDERTB-1EC1) and Single-Color Edixeon® LEDs from Edison Opto.<sup>(1)</sup>

### • Beam Angle Type :

An optimized profile integrate different front shape enable the generation of three different lens models: Medium beam (25deg), wide beam (45deg)and ultra wide beam (60deg).<sup>(2)</sup>

### • The Way to Assembly :

The lens should be assembled to the MCPCB or heat sink hole by the built-in three installation legs. The three installation legs ensure ideal relative position between the lens and LEDs resulting in the best optical performance.

**\*Hot Pressure and Ultrasonic Assembly process are recommended.**

### • Function :

LL03ED-AZxxL provides exceptional color mixing result with the highest efficiency through careful engineering and precision manufacturing process.

#### Notes:

- (1) Edixeon® is a trademark of Edison Opto, for technical information on LEDs, please refer to Edison Opto website at [www.edison-opto.com.tw](http://www.edison-opto.com.tw).
- (2) Typical beam divergence will be affected by different color of LEDs.



Notes:

- (3) The typical divergence will be changed by different color, chip size and chip position tolerance.  
The typical total divergence is the full angle measured where the luminous intensity is half of the peak value.
- (4) The efficiency value listed above is the total value of the whole Tri-lens model, the value depends on the total flux of the LED used. Luminous intensity depends on the LEDs flux and its tolerances, for more details of LED flux, please check Edixeon® datasheet at [www.edison-opto.com.tw](http://www.edison-opto.com.tw).

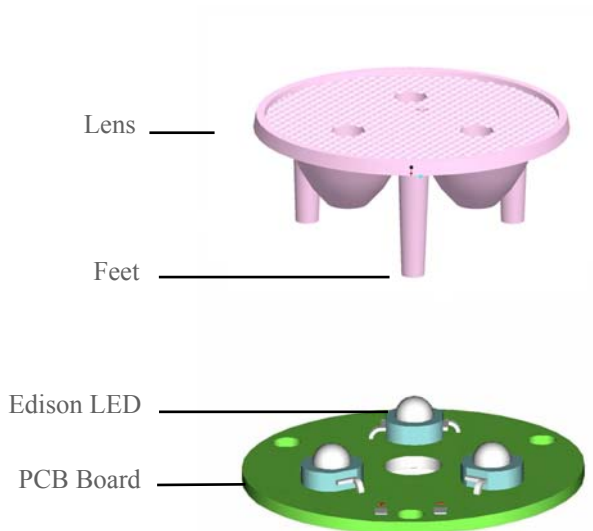
## Mechanical Specifications

---

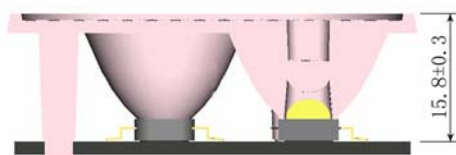
### • Usage and Maintenance :

1. If necessary, clean lenses with mild soap, water and soft cloth
2. Never use any commercial cleaning solvents on lenses, like alcohol
3. Please handle or install lenses with wearing gloves, skin oils may damage lens or its optical characteristic.

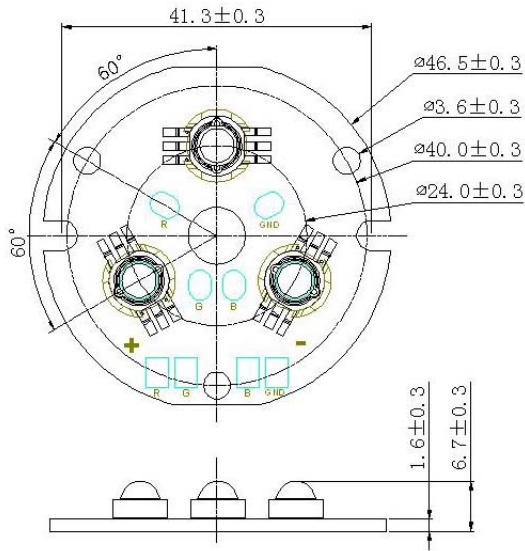
### 1. Lens + Leds+MCPCB assembly instruction:



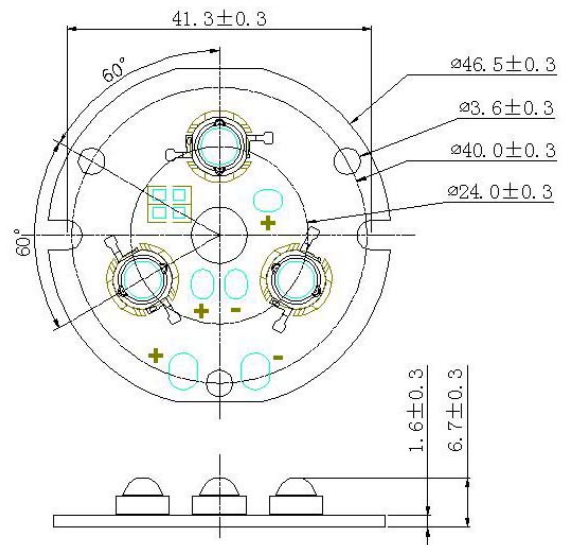
### 2. View assembly lens with MCPCB:



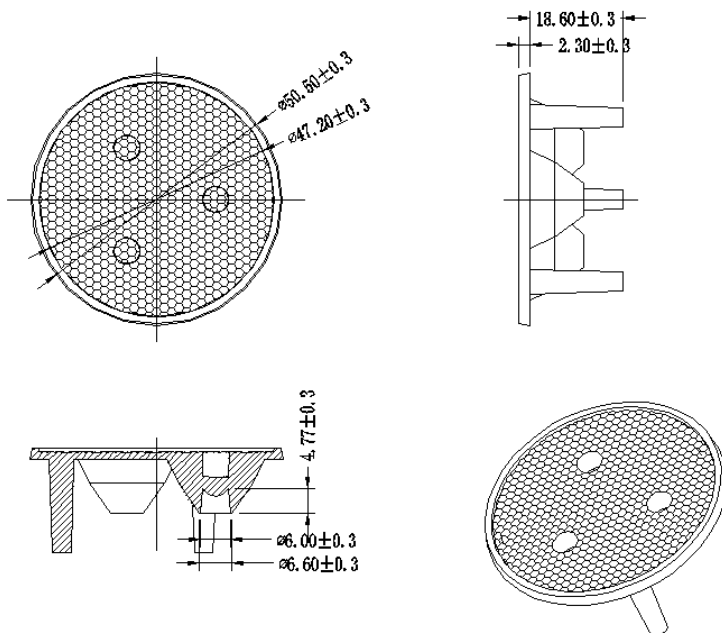
3. Multi-Color RGB Compatible MCPCB Dimensions:



4. Single-Color Compatible MCPCB Dimensions:



5. Lens assembly dimensions and Top Views :



Notes:

- (1) All dimensions are in mm.
- (2) Drawing not to scale.
- (3) Collimator material is PMMA.
- (4) View angle is showed on one of the installation legs.

**Illumination charts**

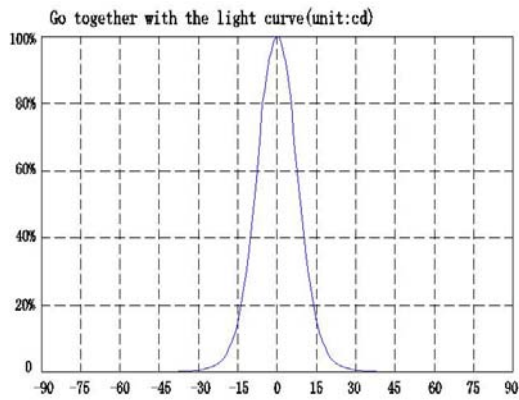
\*Edixeon® single white LED:EDEW-KLC8

LL03ED-AZ25L

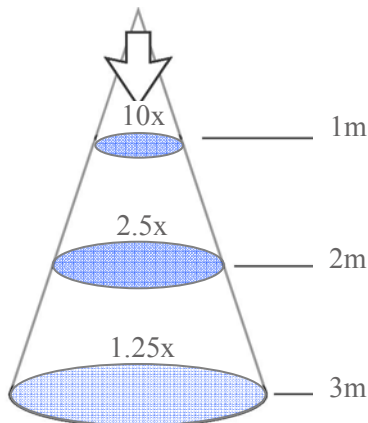
1. Beam Pattern



2. Angular Intensity Distribution



3. Shine on one degree diagram

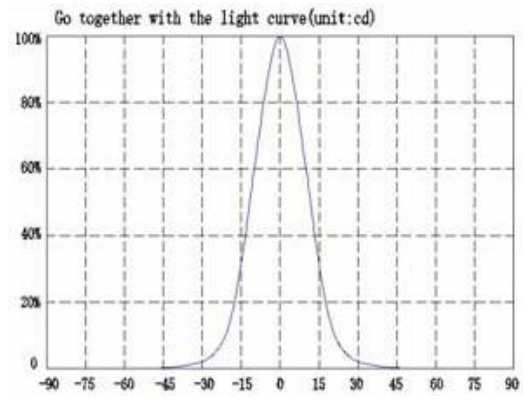


LL03ED-AZ45L

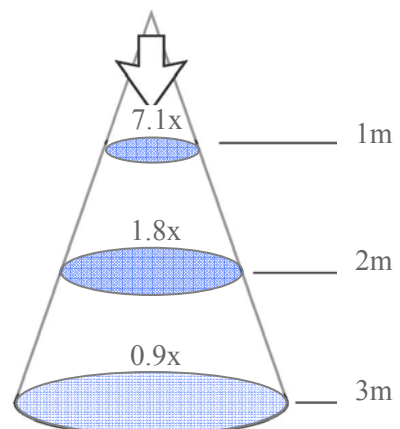
1. Beam Pattern



2. Angular Intensity Distribution



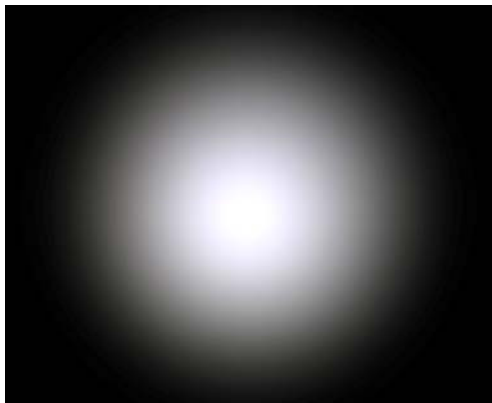
3. Shine on one degree diagram



**Illumination charts**

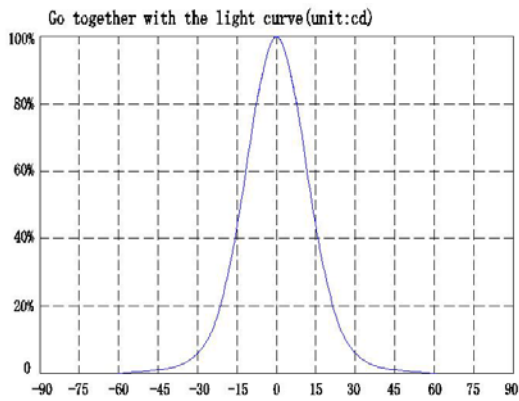
\*Edixeon® single white LED:EDEW-KLC8  
LL03ED-AZ60L

1. Beam Pattern



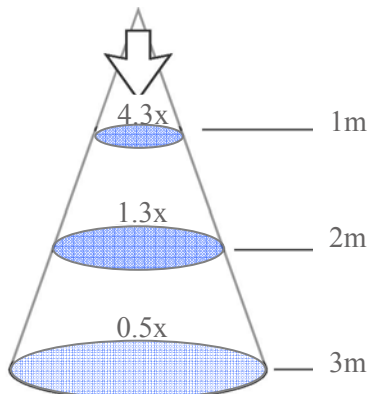
1. Beam Pattern

2. Angular Intensity Distribution



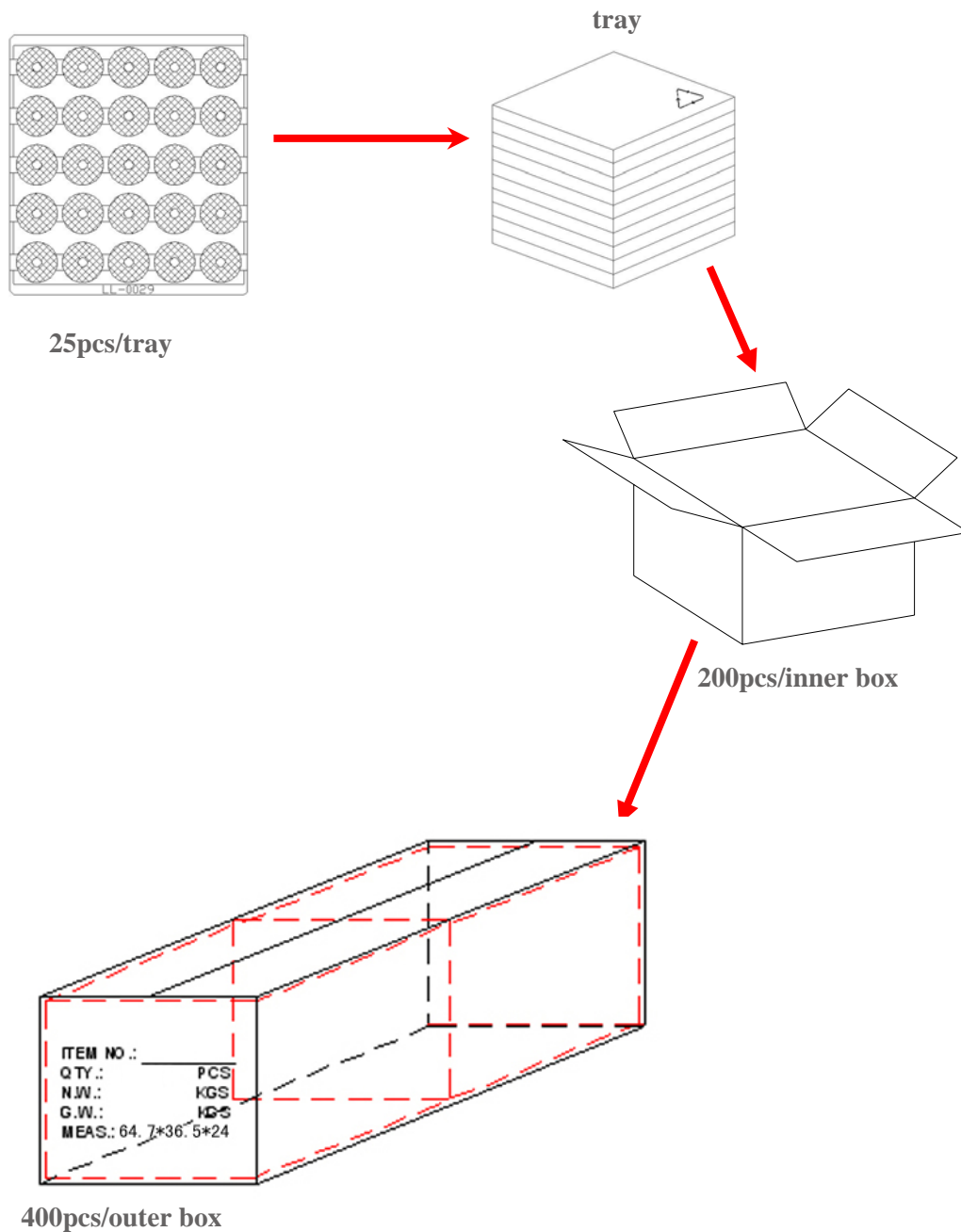
2. Angular Intensity Distribution

3. Shine on one degree diagram



**Package**

Item	Quantity	Total	Size (long * width * high)
Tray	25	25 pcs	34*30*3.5 cm
Inner box	8tray/box	200pcs	35*31*21 cm
Outer box	2 inner box/outer box	400pcs	64.7*36.5*24 cm



## Product Nomenclature

