

LD3-GW56HO-A21R

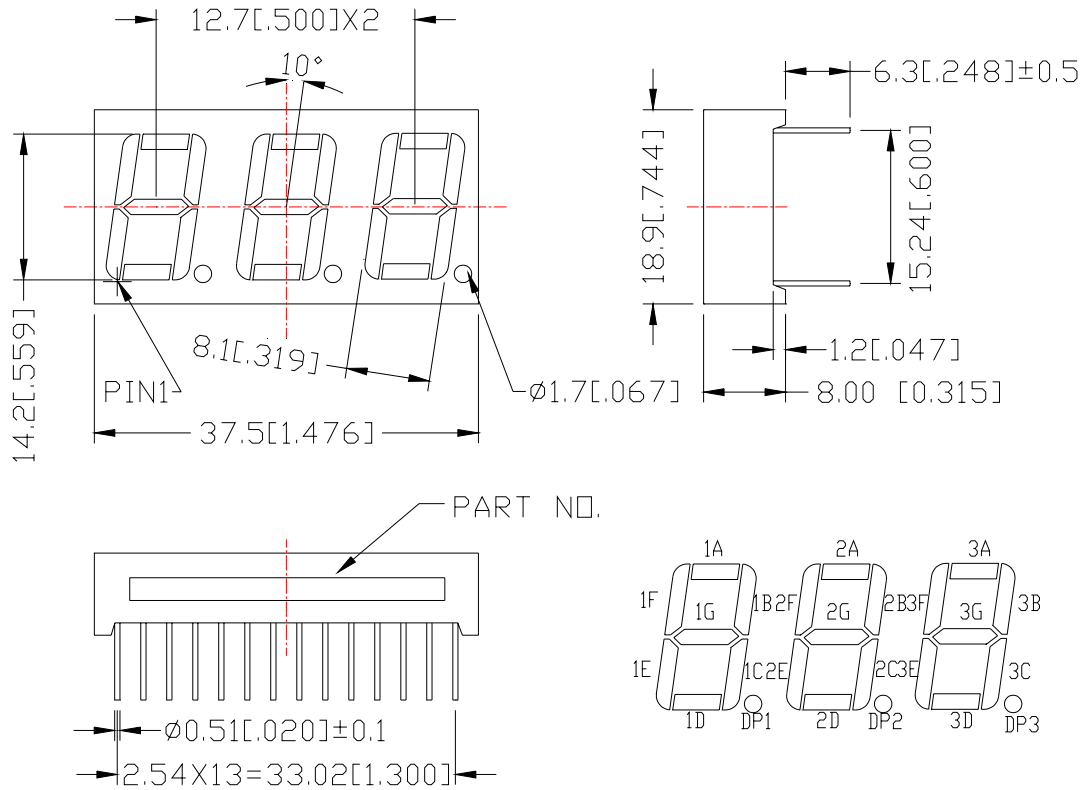
DATA SHEET

Light Engine			Customer
<i>Prepared by</i>	<i>Checked by</i>	<i>Approved by</i>	
Zhang.H	Chenfok	YueWei	
NOTE: Conformity with RoHS directive 2002/95/EC			

■ Modification Record

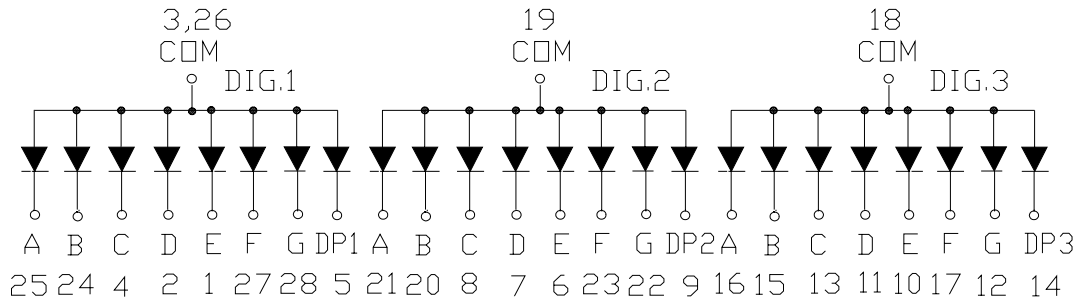
Rev.	Description Of Change	Requested	Date
01	1st preliminary specification	Light Engine	2007/06/14

Outer Dimension:



Note: Unless otherwise stated , The tolerance is ± 0.25 mm.

Circuit Diagram:



Pin Connection:

PIN NO.	CONNECTION	PIN NO.	CONNECTION	PIN NO.	CONNECTION
1	Cathode 1E	11	Cathode 3D	21	Cathode 2A
2	Cathode 1D	12	Cathode 3G	22	Cathode 2G
3	Common Anode Dig.1	13	Cathode 3C	23	Cathode 2F
4	Cathode 1C	14	Cathode DP3	24	Cathode 1B
5	Cathode DP1	15	Cathode 3B	25	Cathode 1A
6	Cathode 2E	16	Cathode 3A	26	Common Anode Dig.1
7	Cathode 2D	17	Cathode 3F	27	Cathode 1F
8	Cathode 2C	18	Common Anode Dig.3	28	Cathode 1G
9	Cathode DP2	19	Common Anode Dig.2		
10	Cathode 3E	20	Cathode 2B		

■ **Features:**

- High Reliability
- Color: Orange Digit
- Low Power Requirement
- Easy Assembly

■ **Description:**

- Three Digit Display
- Digit Height:14.2mm(0.56")
- Gray Face and Encapsulation With White Epoxy

■ **Absolute Maximum Rating (Ta=25°C):**

Parameter	Symbol	Condition	Color	Rating	Units
Power Dissipation Per Segment	P _d	—	Orange	65	mW
Forward Current Per Segment	I _F	—	Orange	25	mA
Derating Of If Per Segment	△I _F	Ta ≥ 25°C	Orange	0.33	mA/°C
Peak Forward Current Per Segment	I _{FP}	1/10 Duty 10KHz	Orange	100	mA
Reverse Voltage Per Segment	V _R	—	Orange	5	V
Operating Temperature Range	T _{opr}	—	—	-35~+85	°C
Storage Temperature Range	T _{stg}	—	—	-35~+85	°C

■ **Electrical/Optical Characteristics Rating(Ta=25°C)**

Item	Symbol	Test condition	Location	Color	Rating			Unit
					Min.	Typ.	Max.	
Forward Voltage	V _F	I _F =20mA	Per Segment	Orange	—	2.25	2.60	V
Reverse Current	I _R	V _R =5V	Per Segment	Orange	—	—	100	μA
Luminous Intensity	I _V	I _F =10mA	Per Segment	Orange	1251	3200	—	μcd
Wavelength	λ _P	I _F =20mA	Per Segment	Orange	—	632	—	nm
	λ _D					622		
Spectral Line Half Width	△λ	I _F =20mA	Per Segment	Orange	—	35	—	nm
Luminous Intensity Matching Ratio(Segment to Segment)	I _{v-m}	I _F =10mA	—	—	—	—	2:1	

■ **Luminous Intensity Sorting: (Luminous Intensity Tolerance is +/-10%)**

Rank	Symbol	Condition	Min	Max	Unit
H	H	I _F =10mA	1251	2000	μcd
I	I	I _F =10mA	2001	3200	μcd
J	J	I _F =10mA	3201	5050	μcd
K	K	I _F =10mA	5051	8000	μcd

■ **Pb, Cd, Hg, Cr+6, PBBs, PBDEs 6 Substances Complies To RoHS**

■ **Standard Soldering Conditions: Soldering Temp. ≤+260°C, Soldering Time. ≤3sec.**

(At 2mm Distance from the Case of Reflector Edge)