

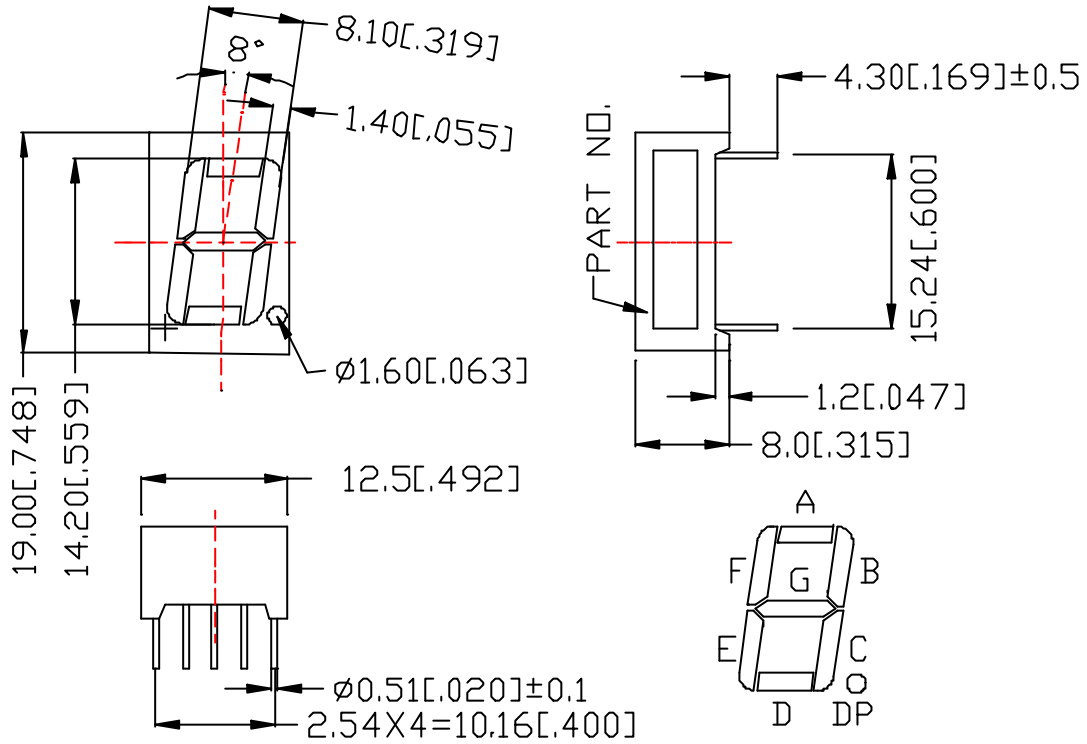


**LD1-GW56R6-A11R**

**DATA SHEET**

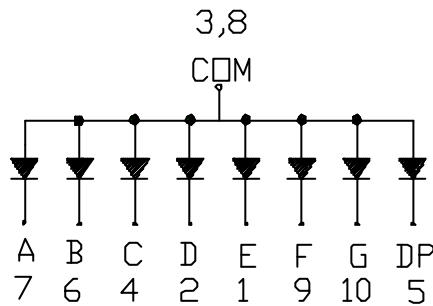
<b>COTCO</b>			<b>CUSTOMER</b>
<b>NOTE:</b>			

**Outer Dimension:**



**Notes: Unless otherwise stated, The tolerance is  $\pm 0.25\text{mm}$ .**

**Circuit Diagram**



**Pin Connection:**

PIN NO.	CONNECTION	PIN NO.	CONNECTION
1	Cathode E	6	Cathode B
2	Cathode D	7	Cathode A
3	Common Anode	8	Common Anode
4	Cathode C	9	Cathode F
5	Cathode DP	10	Cathode G



# COTCO INTERNATIONAL LTD

**Features:**

- . High Reliability
- . Color: Red Digit
- . Low Power Requirement
- . Easy Assembly

**Description:**

- . Single Digit Display
- . Digit Height:14.2mm(0.56" )
- . Gray Face And Encapsulation With White Epoxy

**Absolute Maximum Rating (Ta=25 ):**

Parameter	Symbol	Condition	Color	Rating	Units
Power Dissipation Segment	P <sub>d</sub>		Red	57.5	mW
Forward Current Segment	I <sub>F</sub>		Red	25	mA
Derating Of If Per Segment	I <sub>F</sub>	Ta 25	Red	0.30	mA/
Peak Forward Current Per Segment	I <sub>FP</sub>	1/10 Duty 10KHz	Red	100	mA
Reverse Voltage Per Segment	V <sub>R</sub>		Red	5	V
Operating Temperature Range	T <sub>opr</sub>			-35 +85	
Storage Temperature Range	T <sub>stg</sub>			-35 +85	

**Electrical/Optical Characteristics Rating(Ta=25 )**

Item	Symbol	Test conditions	Location	Color	Rating			Units
					Min.	Typ.	Max.	
Forward Voltage	V <sub>F</sub>	I <sub>F</sub> =20mA	Per Segment	Red	—	1.95	2.3	V
Reverse Current	I <sub>R</sub>	V <sub>R</sub> =5V	Per Segment	Red	—	—	100	μ A
Luminous Intensity	I <sub>V</sub>	I <sub>F</sub> =10mA	Per Segment	Red	5051	12650	—	μcd
Wave Length	P	I <sub>F</sub> =20mA	Per Segment	Red	—	660	—	nm
	D				634	640	647	
Spectral Line Half Width		I <sub>F</sub> =20mA	Per Segment	Red	—	20	—	nm
Luminous Intensity Matching Ratio (Segment to Segment)	I <sub>v-m</sub>	I <sub>F</sub> =10mA					2:1	

**Luminous Intensity Sorting: (Luminous Intensity Tolerance is +/-10%)**

Rank	Symbol	Condition	Min	Max	Unit
K	K	I <sub>F</sub> =10mA	5051	8000	μcd
L	L	I <sub>F</sub> =10mA	8001	12650	μcd
M	M	I <sub>F</sub> =10mA	12651	19990	μcd
N	N	I <sub>F</sub> =10mA	19991	31580	μcd

**Soldering Conditions: Soldering Temp. +260 , Soldering Time. 3sec.**

**(at 2mm Distance from The Case of Reflector Edge)**