



GFLO Collimator

Features

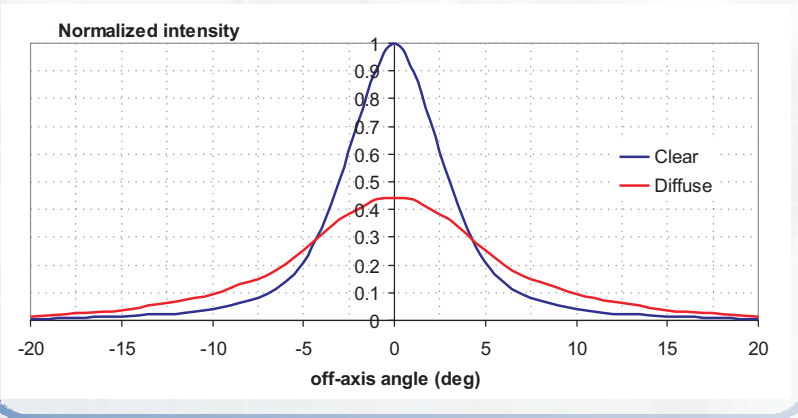
- Compact high efficiency LED collimator for high brightness LED light sources
- 25 mm diameter, < 20 mm tall from LED bottom surface
- Two models: clear-type (C) and diffuse-type (D)
- Type C: for monochromatic LEDs or white LEDs to achieve highest intensity
- Type D: for a wider, softer radiation pattern and to help colour mixing for large phosphor white LEDs
- High efficiency aspheric design
- Applications: Signalling, automotive lighting, flashlights, architectural light, emergency lights, general illumination



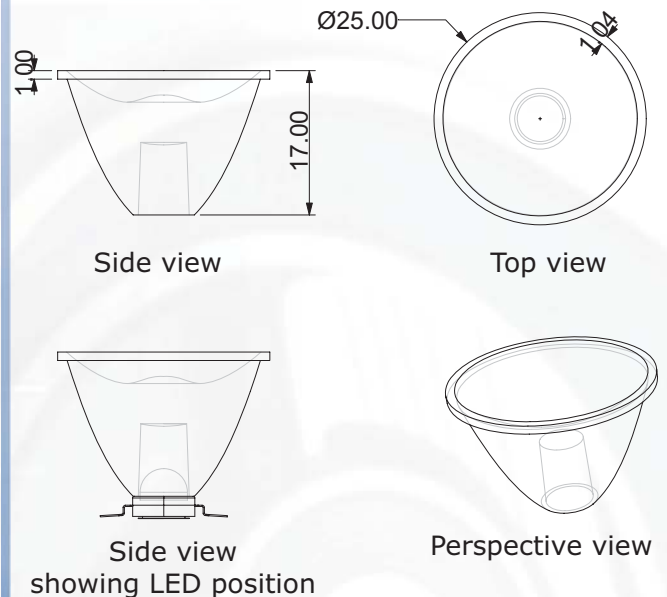
Optical Performance

(Results for Lumileds Luxeon I/III Lambertian white LED)

- Total Efficiency: 85% (C) and 80% (D) (in 40 deg full angle cone)
- FWHM collimation angle: 6 deg (C) and 11 deg (D)
- On axis intensity: 39 cd/lm (C) and 11 cd/lm (D) (for 1 lm; scales with LED flux)



Dimensions



All dimensions in mm

Light Sources

- GFLO Collimators are designed for:
 - Lumileds Luxeon, III, and K2 Lambertian emitters or Star Hex all colours
- Shows similar behaviour for:
 - Osram Golden Dragon
 - Cotco Dorado
 - Nichia Jupiter
 - ...

LPI part number: **GFLO2506LL01**

Release date: 03/06 DS GFLO001



LPI-Europe: +34
 Marques de Urquijo, 14, 5ºD
 28008 Madrid, Spain
 Main 917 580680
 Fax 915 596082

LPI-LLC USA: +1
 2400 Lincoln Avenue
 Altadena, CA 91001
 Main 626 296 6493
 Fax 626 296 6488

LPI-PO: +852
 LPI Precision Optics Limited
 Unit 02, G/F, Photonics Centre
 2 Science Park East Avenue,
 Hong Kong Science Park, Shatin, N.T.
 Main 2428 8812
 Fax 2144 2566

Enquiry: info@lpi-llc.com

Website: www.lpi-llc.com