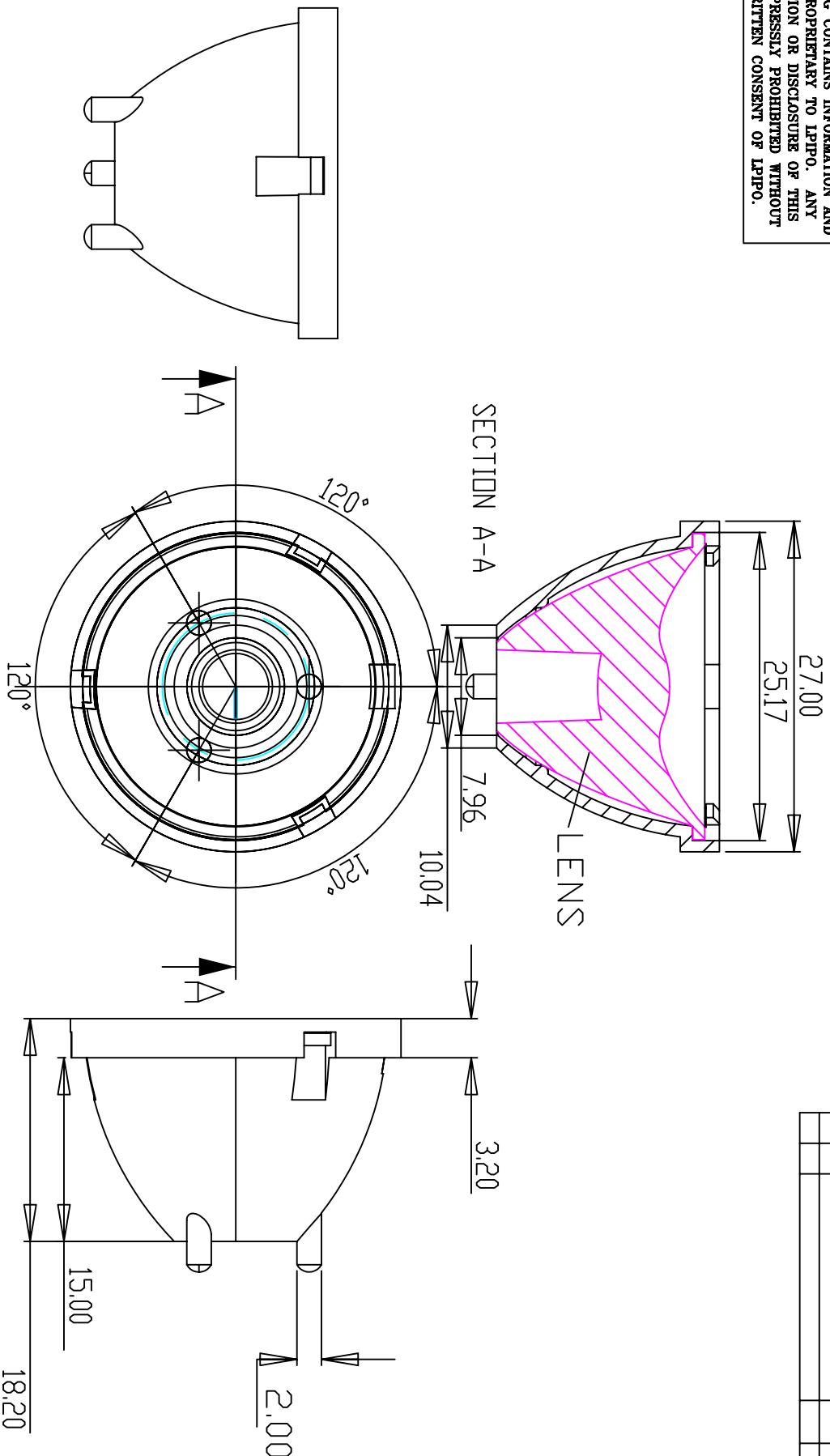


PROPRIETARY DATA


THIS DRAWING CONTAINS INFORMATION AND DESIGNS PROPRIETARY TO LPIPO. ANY REPRODUCTION OR DISCLOSURE OF THIS DATA IS EXPRESSLY PROHIBITED WITHOUT PRIOR WRITTEN CONSENT OF LPIPO.



REV	ZONE	CHANGE DESCRIPTION	DRF-BY	CHK-BY	DATE

MATERIAL	PC
COLOR	
FINISH	EDM TEXTURE
COATING	N/A
SIZE	A4

UNLESS OTHERWISE STATED
 WALL THICKNESS MM
 TOLERANCE .XX ± 0.1 MM
 ANGULAR DEG
 DRAFT ANGLE / SIDE MAX
 BURR & FLASH MAX
 BREAK P² CORNERS RMAX
 ALL PRODUCT DIMENSIONS UNIT IN MM

 LPI PRECISION OPTICS LIMITED		TITLE GFLO HOLDER	
DWG NO		DRFT	
SCALE	2 : 1	SHT	1 OF 1
CHKD		APPD	
REV	A		