

# LED PAR20 Bulb Series

## semi-modulised product data sheet



### Table of Contents

Introduction .....	2
Features .....	3
Compatible LED & Lens .....	4
Part number .....	5
Dimension .....	6
Package .....	7

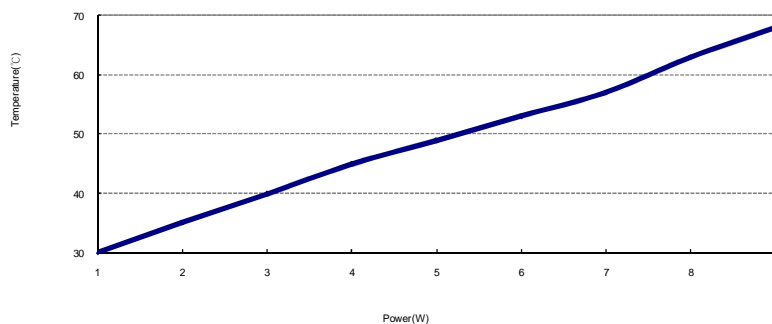
## Introduction

PAR20 Bulb series of customised lighting components (excluding leds & driver) have been integrated for certain models of lighting lamp. With our component modules and its accessories, lamp manufacturers are able to reduce the new product developing cost. Ledlink offers “one stop shopping” concept, bringing our clients time and cost effective to meet the rapid market shift.






## Features

- 70mm PAR20 diameter
- IP Rating:IP65
- Thermal conductivity 130 W/mk
- Compatible Lens :Sphere
- Changeable plug : E26 、 E27 、 customization
- Input Power Capability(Watts) : 9W(max)
- Weight : 180g (excluding Driver & LED)
- Plastic Housing temperature (max) : 75°C
- Heat sink equilibrium temperature (max) : 68°C
- Temperature & Operate Power characteristics



## Compatible LED & Lens

Condition : Sphere

LED Type	LED Model	Angle
 EDISON	1LA5 、 KLC8 、 Federal	140°
 LUMILEDS™ <small>LIGHT FROM SILICON VALLEY</small>	Rebel	140°
 CREE	XP 、 XR Series	140°

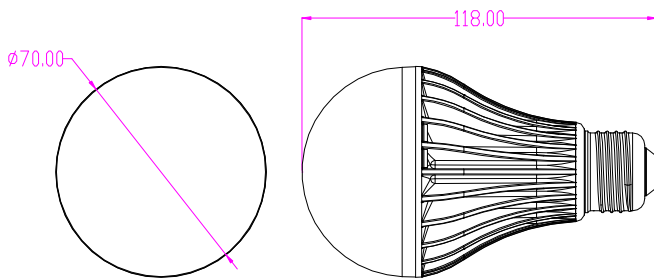
## Part number

Item	Picture	Description	Part number	Dimension
<b>Lens</b>		140 degree Sphere	LL06ZZ-DA140L02	Φ 70x 41.79mm
			LL06ZZ-DA140L05	
<b>Heat sink</b>		Bulb heat sink ( gray silver colour )	LDKS-034107-001	Φ 70*57.3mm
<b>Lamp base</b>		E27-P20底座组件-B	LL27A00MDNA2	Φ 33*45mm
			LL27A00MDNA1	
		E26-P20底座组件-B	LL26A00MDNA2	Φ 33*42mm
			LL26A00MDNA1	
<b>MCPCB</b>		For 1LA5 3in1	LDKPED-03C3BS4-08	Φ 50.0*1.6mm
		For 1LA5 7in1	LDKPED-07C2WS4-02	Φ 50.0*1.2mm
<b>O-Ring</b>		For Sphere	LDK03-03-001	Φ 50*1.8mm
		For Lamp base	LDK03-03-002	Φ 20.3*1.8mm
<b>Screw</b>		To fix the MCPCB with the heat sink	LDK01-03-007	M3*5mm

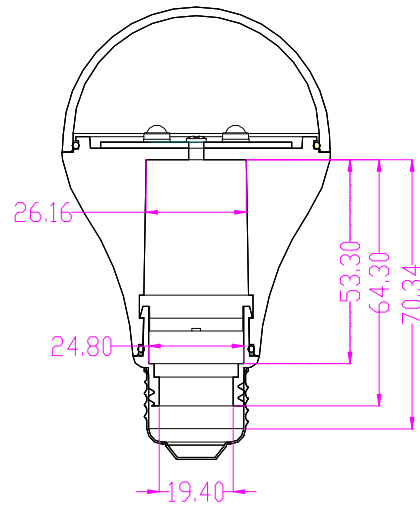
# Dimension

■ E26

Mechanical Dimension (mm)

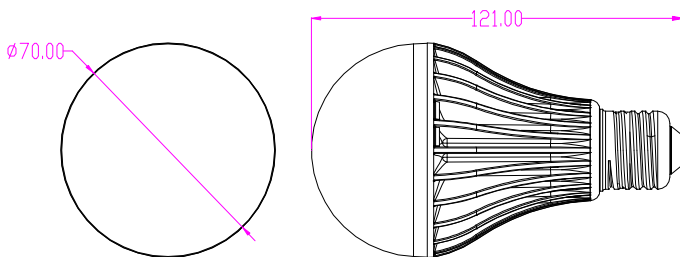


Driver Space (mm)

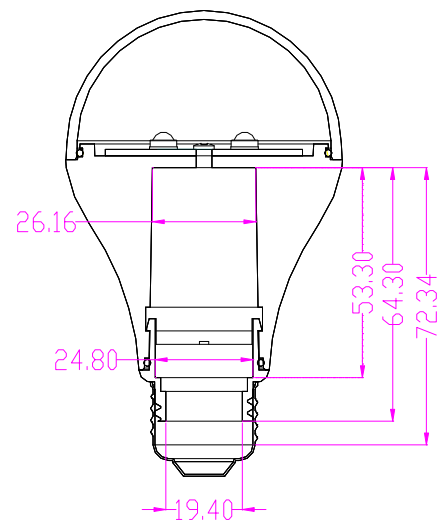


■ E27

Mechanical Dimension (mm)



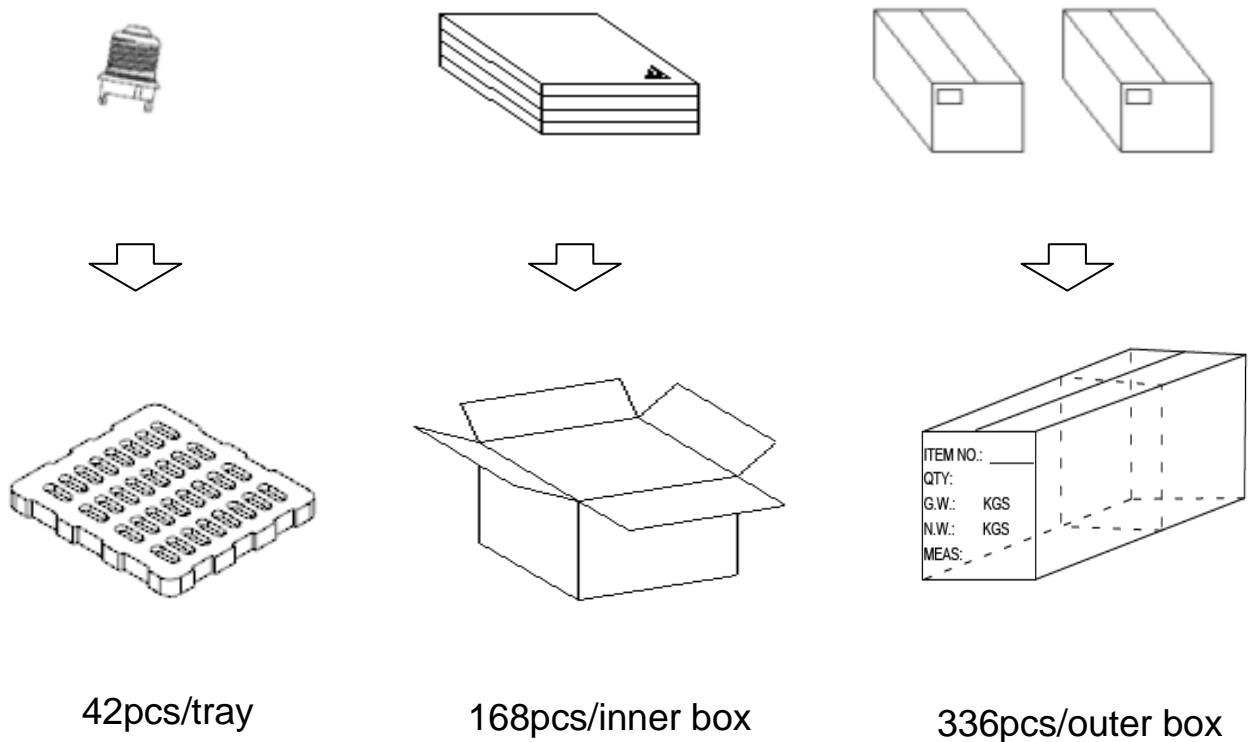
Driver Space (mm)



## Package

- Changeable plug : E27 & E26 Package

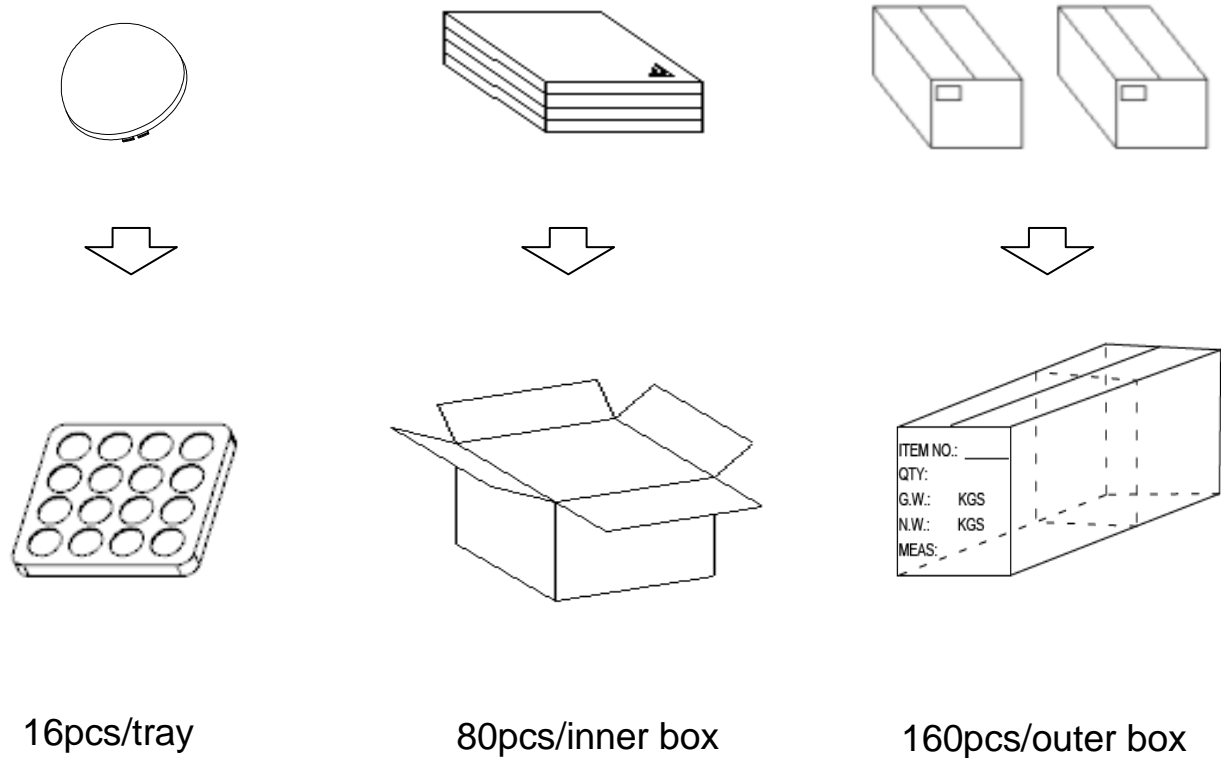
Item	Quantity	Total	Dimension (L*W*H)
Tray	42pcs/tray	42pcs	340*300*38 mm
Inner box	4tray/box	168pcs	350*310*210 mm
Outer box	2 inner box/outer box	336pcs	647*365*240 mm



## Package

- Changeable plug : Lens package

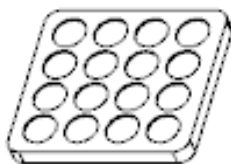
Item	Quantity	Total	Dimension (L*W*H)
Tray	16pcs/tray	16pcs	390*360*43mm
Inner box	5 tray/box	80pcs	400*370*210 mm
Outer box	2 inner box/outer box	160pcs	420*390*455mm



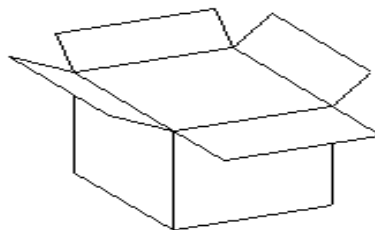
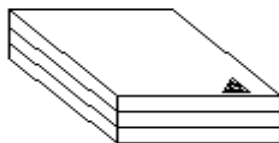
## Package

- Changeable plug : Sink package

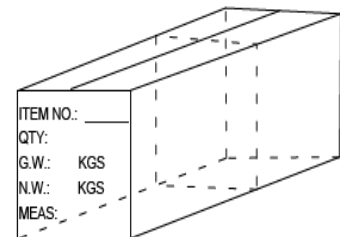
Item	Quantity	Total	Dimension (L*W*H)
Tray	16pcs/tray	16pcs	389*376*56 mm
Inner box	3 tray/box	48pcs	400*370*210 mm
Outer box	2 inner box/outer box	96pcs	420*390*455 mm



16pcs/tray



48pcs/inner box



96pcs/outer box