

LED E26&E27&E14&17 Series

Semi-modulised Product Data Sheet



Table of Contents

Introduction	2
Features	3
Compatible LED & Lens	4
Part number	6
Dimension	8
Package	10

Introduction

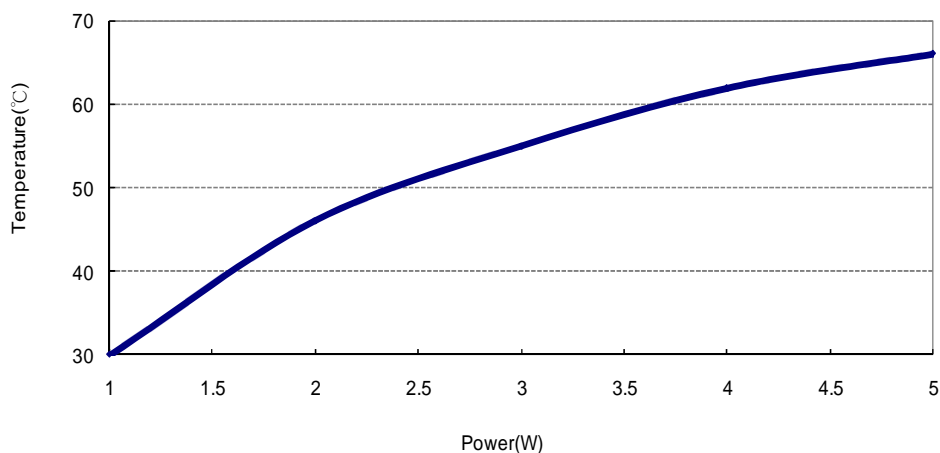
E26&E27 &E14&17series of customised lighting components (excluding LED & driver) have been integrated for certain models of lighting lamp. With our component modules and its accessories, lamp manufacturers are able to reduce the new product developing cost. Ledlink offers “one stop shopping” concept, bringing our clients time and cost effective to meet the rapid market shift.

- 1.Lens ←-----
- 2.Screw ←-----
- 3.MCPCB ←-----
- 4.Heatsink ←-----
- 5.Changeable plug:E26&E27 &E14&E17available ←---









Features

- 50 mm E26&E27&E14&E17 series diameter
- Thermal conductivity 130 W/mk
- Compatible Lens : 3 in 1 、 4 in 1 、 customization
- Changeable plug : E26&E27&E14&E17 、 customization
- Lens efficiency 90%
- Input Power (Watts) : 5W (max)
- Weight : 36.5g (excluding Driver & LED)
- Plastic Housing temperature (max) : 75° C
- Heat sink equilibrium temperature (max) : 66° C
- Temperature & Operate Power characteristics





Compatible LED & Lens

Condition : 3in1 Lens










LED Type	LED Model	Angle
	1LA5	40°
		60°
	Federal	40°
		60°
	Rebel	15°
		25°
		40°
	XR-E	40°
		60°
	XP-E	15°
		25°
		40°
		60°
	NS9W153MT	40°
		60°
	083A	40°
		60°
	P4	40°
		60°
	W5AM	40°
		60

Compatible LED & Lens

Condition : 4in1 Lens

LED Type	LED Model	Angle
	Rebel	15°
		25°
		40°
	XP-E	15°
		25°
		40°

Part number

Item	Picture	Description	Part number	Dimension		
Lens		3 in 1 40 degree	LL03ED-EK40L06	Φ 35 x 13.5mm		
		3 in 1 60 degree	LL03ED-EK60L06			
		3 in 1 15 degree	LL03LU-DO15L06			
		3 in 1 25 degree	LL03LU-DO25L06			
		3 in 1 40 degree	LL03LU-DO40L06			
		3 in 1 40 degree	LL03CR-EK40L06			
		3 in 1 60 degree	LL03CR-EL60L06			
		4 in 1 15 degree	LL04LU-DO15L06		Φ 35x 13.5mm	
		4 in 1 25 degree	LL04LU-DO25L06			
		4 in 1 40 degree	LL04LU-DO40L06			
	Heat sink		Heat sink		LDKS-016101-001	Φ 50x 24.8mm
	Lamp base		E26 lamp socket		LL26A01MDEA2	Φ 27x35.9mm
E27 lamp socket			LL16A01MDEA2	Φ 27x37.9mm		
		E14 lamp socket	LL14A00MDUA2	Φ 27x348.1mm		
		E17 lamp socket	LL17A00MUDA2	Φ 27x348.1mm		
Screw		To fix the MCPCB with the heat sink	LDK01-01-001	M2*4.5MM		

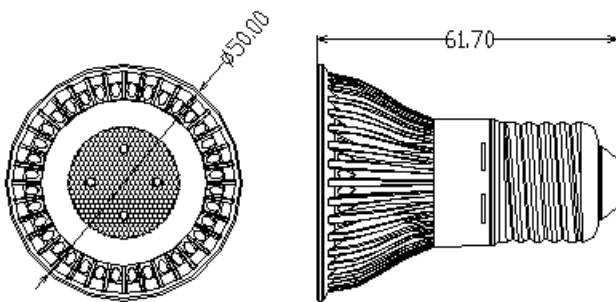
Part number

Item	Picture	Description	Part number	Dimension
MCPCB		1LA5 3in1	LDKPED-03C2BS4-01	Φ 21x 1.6mm
		XR-E 3in1	LDKPCR-03C2BS4-01	
		XP-E 3in1	LDKPCR-03C3BS4-01	
		Federal ,Rebel 3in1	LDKPED-03C3BS4-02	
		Federal ,Rebel 4in1	LDKPED-04C3BS4-01	
		XP-E 4in1	LDKPCR-04C3BS4-02	
		XP-E 4in1	LDKPCR-04C3BS4-01	
		XP-E 4in1	LDKPOS-04C3WS4-01	

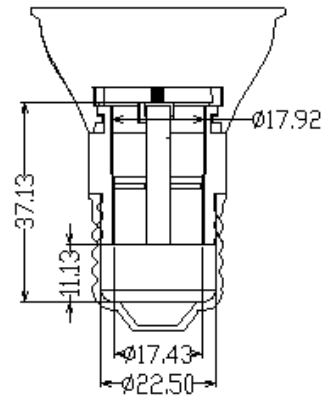
Dimension

■ E26

Mechanical Dimension (mm)

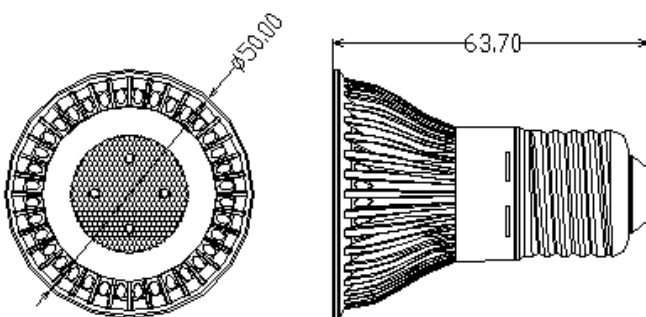


Driver Space (mm)

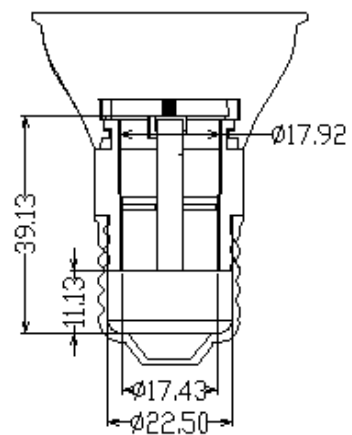


■ E27

Mechanical Dimension (mm)



Driver Space (mm)

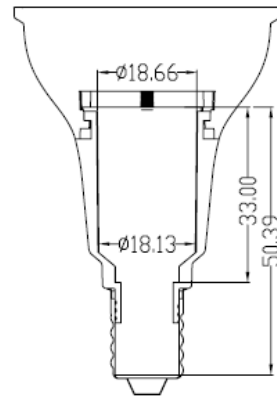
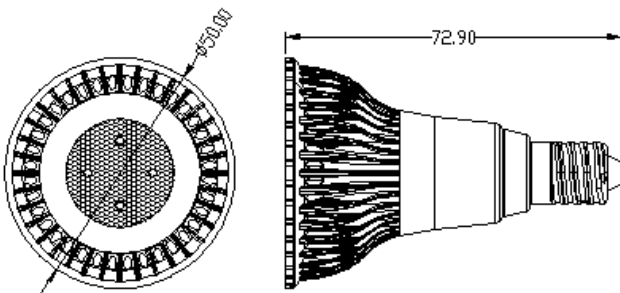


Dimension

■ E14

Mechanical Dimension (mm)

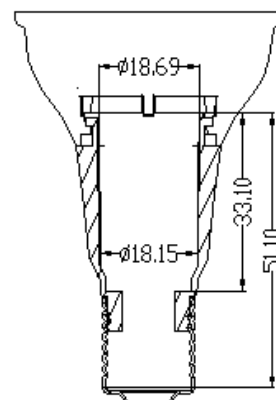
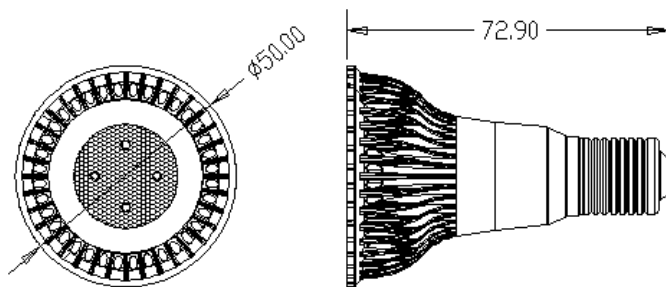
Driver Space (mm)



■ E17

Mechanical Dimension (mm)

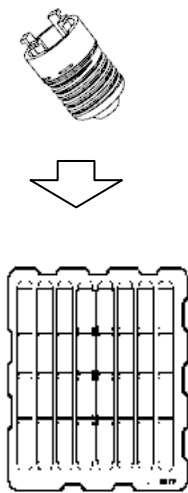
Driver Space (mm)



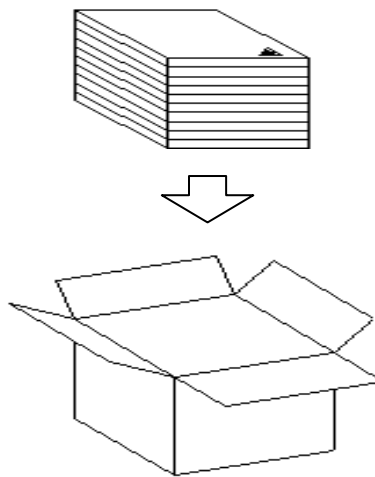
Package

- Changeable plug : E26&E27&E14&E17 Package

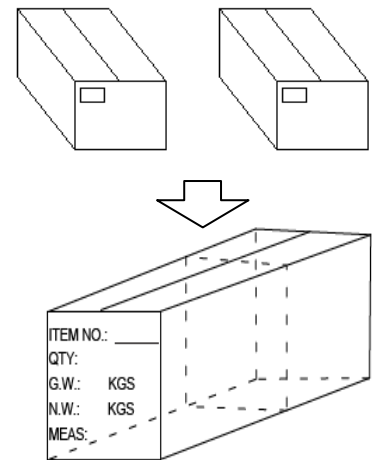
Item	Quantity	Total	Dimension (L*W*H)
Tray	32pcs/tray	32 pcs	324*294*28.5 mm
Inner box	7tray/box	224pcs	350*310*210 mm
Outer box	2 inner box/outer box	448pcs	647*365*240 mm



32pcs/tray



224pcs/inner box

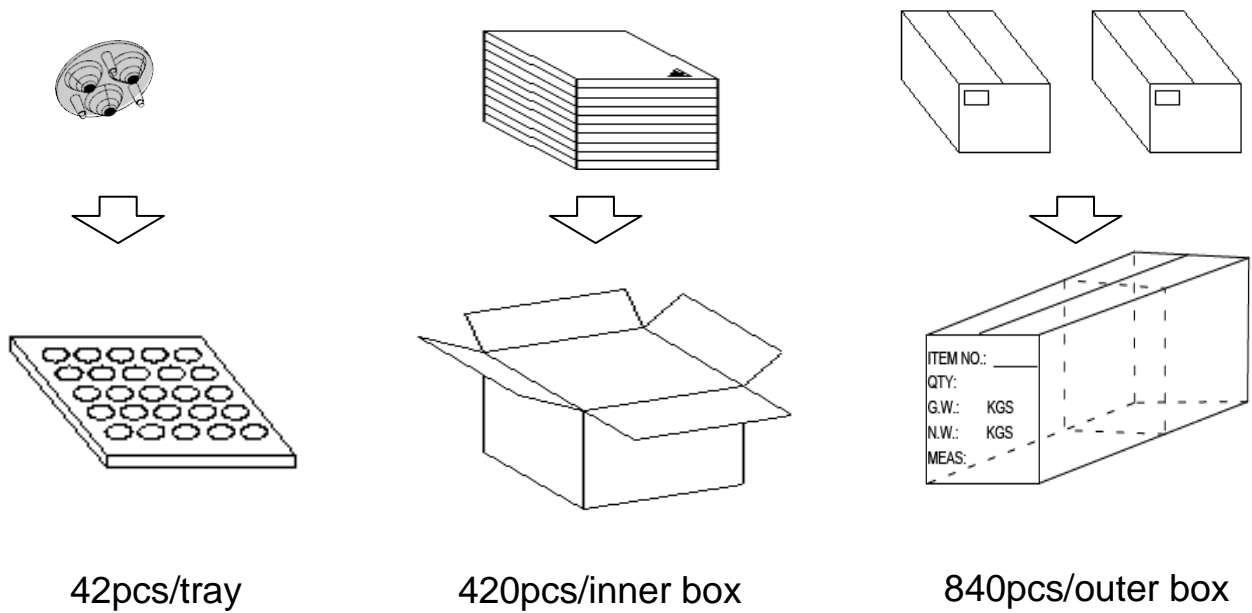


448pcs/outer box

Package

- Changeable plug : Lens package

Item	Quantity	Total	Dimension (L*W*H)
Tray	42pcs/tray	42pcs	324*294*20mm
Inner box	10tray/box	420pcs	350*310*210 mm
Outer box	2 inner box/outer box	840pcs	647*365*240mm



Package

- Changeable plug : Sink package

Item	Quantity	Total	Dimension (L*W*H)
Tray	20pcs/tray	20pcs	324*294*20 mm
Inner box	8 tray/box	160pcs	350*310*210 mm
Outer box	2 inner box/outer box	320pcs	647*365*240 mm

