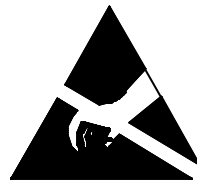
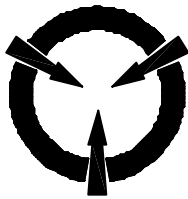


DM9-4420R6-DA01

DATA SHEET



COTCO			CUSTOMER
NOTE:			

REVISION: 01

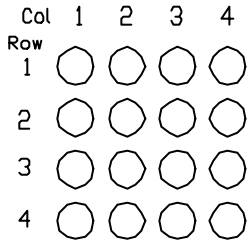
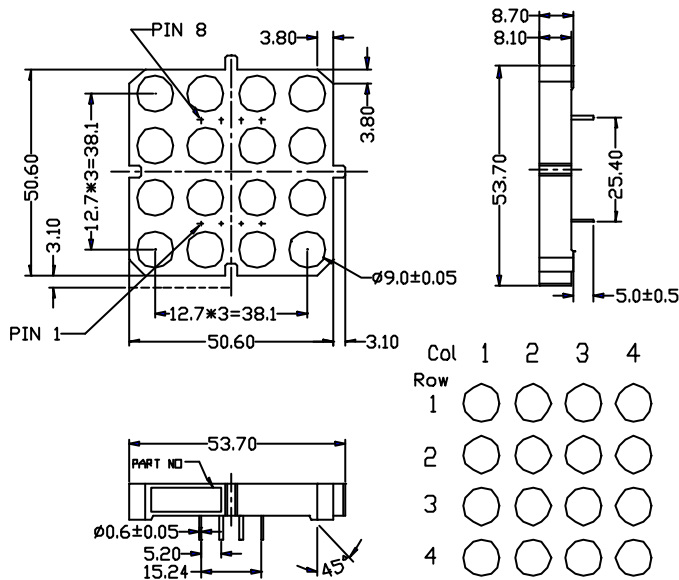
■ **Features:**

- High Reliability
- Red Color Dot Matrix
- Low Power Requirement
- Flat Package and Light Weight
- Easy Assembly

Description:

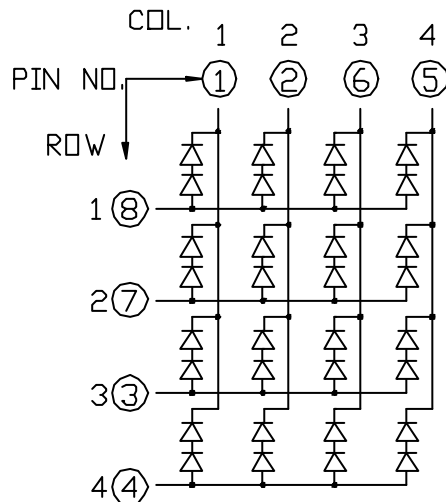
- 4X4Dot Matrix Anode Row
- 9.0mm Dot and Pitch12.70mm
- Black Face and Diffuser Epoxy Dots

Outer Dimension:



Notes : Unless otherwise stated, The tolerance is ± 0.25 mm.

Circuit Diagram



PIN NO.	FUNCTION
1	Cathode Column 1
2	Cathode Column 2
3	Anode Row 3
4	Anode Row 4
5	Cathode Column 4
6	Cathode Column 3
7	Anode Row 2
8	Anode Row 1



COTCO INTERNATIONAL LTD

Absolute Maximum Rating (Ta=25):

Parameter	Symbol	Condition	Color	Rating	Unit
Maximal Power Dissipation (When completely Lighting) Per Dot	P _d		Red	69	mW
Maximal Forward Current (When completely Lighting) Per Dot	I _F		Red	15	mA
Derating Of If Per Dot	I _F	Ta 25	Red	0.166	mA/
Peak Forward Current Per Dot	I _{FP}	1/8Duty 10khz	Red	100	mA
Reverse Voltage Per Dot	V _R		Red	5	V
Operating Temperature Range	Topr			-35 +85	
Storage Temperature Range	Tstg			-35 +85	

Electrical/Optical Characteristics Rating(Ta=25)

Item	Symbol	Test conditions	Location	Color	Rating			Units
					Min.	Typ.	Max	
Forward Voltage	V _F	I _F =20mA	Per Dot	Red	—	3.9	4.6	V
Reverse Current	I _R	V _R =5V	Per Dot	Red	—	—	100	μ A
Luminous Intensity	I _V	1/8Duty I _{FP} =40mA	Per Dot	Red	9.26	16.0	—	mcd
Wave Length	P	I _F =20mA	Per Dot	Red	—	660	—	nm
	d					640		
Spectral Line Half Width		I _F =20mA	Per Dot	Red	—	20	—	nm
Electrostatic Discharge Threshold (HBM)	ESD	—	—	—	—	1000	—	V
Luminous Intensity Matching Ratio (Dot To Dot)	I _{V-M}	1/8Duty I _{FP} =40mA					2:1	

Luminous Intensity Sorting (1/8Duty, I_{FP} =40mA)

B IN COLOR	P	Q	R	S	T	U
Red(mcd)	9.26-11.11	11.12-13.34	13.34-16.02	16.03-19.24	19.25-23.10	23.11-27.73

Soldering Conditions : Soldering Temp. +260

Soldering Time. 3sec.

(at 2mm Distance from The Case of Reflector Edge)