

# LED Candle Bulb Series

## semi-modulised product data sheet



### Table of Contents

Introduction	.....	2
Features	.....	3
Compatible LED & Lens	.....	4
Part number	.....	5
Dimension	.....	6
Package	.....	7

## Introduction

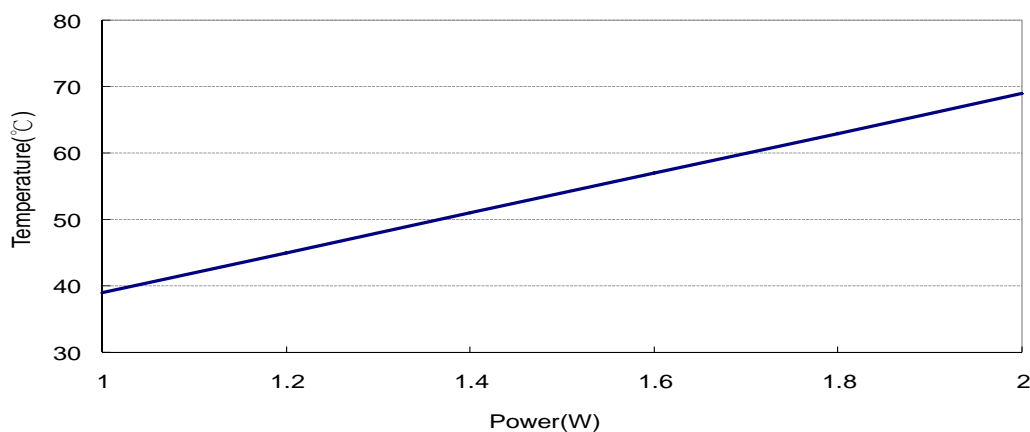
Candle Bulb series of customised lighting components (excluding leds & driver) have been integrated for certain models of lighting lamp. With our component modules and its accessories, lamp manufacturers are able to reduce the new product developing cost. Ledlink offers “one stop shopping” concept, bringing our clients time and cost effective to meet the rapid market shift.

1. Sphere ←-----
2. Cover ←-----
3. Lens ←-----
4. Screw ←-----
5. MC-PCB ←-----
6. Heat sink ←-----
7. Changeable plug: E14 ←-----




## Features

- 35mm Candle bulb diameter
- Thermal conductivity 130 W/mk
- Compatible Lens :1 LED 、 customization
- Changeable plug : E14 、 customization
- Input Power Capability(Watts) : 2W(max)
- Weight : 31g (excluding Driver & LED)
- Plastic Housing temperature (max) : 80°C
- Heat sink equilibrium temperature (max) : 69°C
- Temperature & Operate Power characteristics



## Compatible LED & Lens

Condition : LENS

LED Type	LED Model	Angle
	XP-E	120°

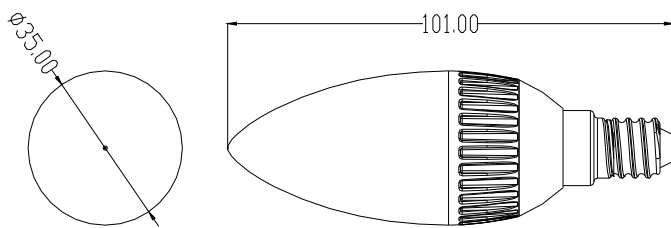
## Part number

Item	Picture	Description	Part number	Dimension
<b>Lens</b>		120 degree	LL01CR-KT120L02	Φ 70x 41.79mm
<b>Heat sink</b>		heat sink	LDKS-072109-001	Φ 35.00*16.00mm
<b>Lamp base</b>		E14底座组件-C	LL14A00MGCA2	Φ 31.00*40.00mm
<b>MCPCB</b>		For XP-E	LDKPCR-01L2WS4-02	19.67*19.67*1.2mm
<b>Sphere</b>		Sphere-A	LL01ED-NY120L02	Φ 35.00*52.15mm
		Sphere-B	LL01ED-NY140L02	
<b>Cover</b>			LL14A00CGDA2	Φ 33.00*4.37mm
<b>Screw</b>		To fix the MCPCB with the lamp base	LDK01-07-001	PB1.7*7.0mm

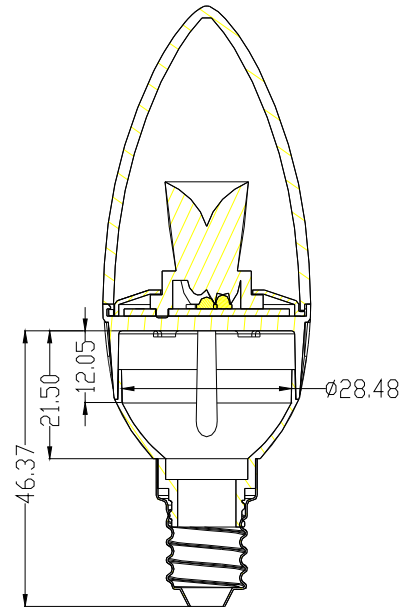
## Dimension

### ■ E14(Sphere-A)

Mechanical Dimension (mm)

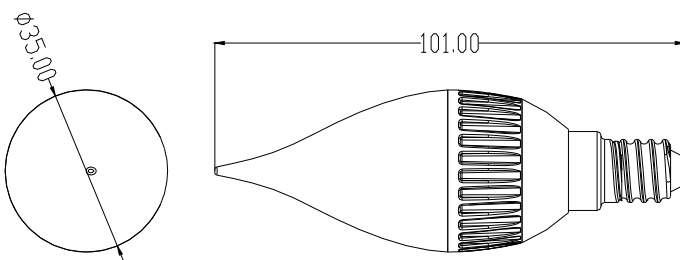


Driver Space (mm)

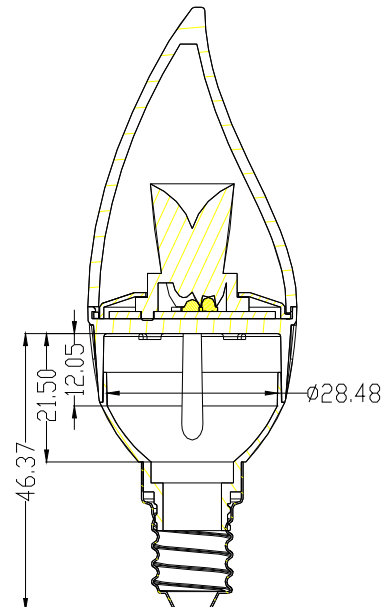


### ■ E14(Sphere-B)

Mechanical Dimension (mm)



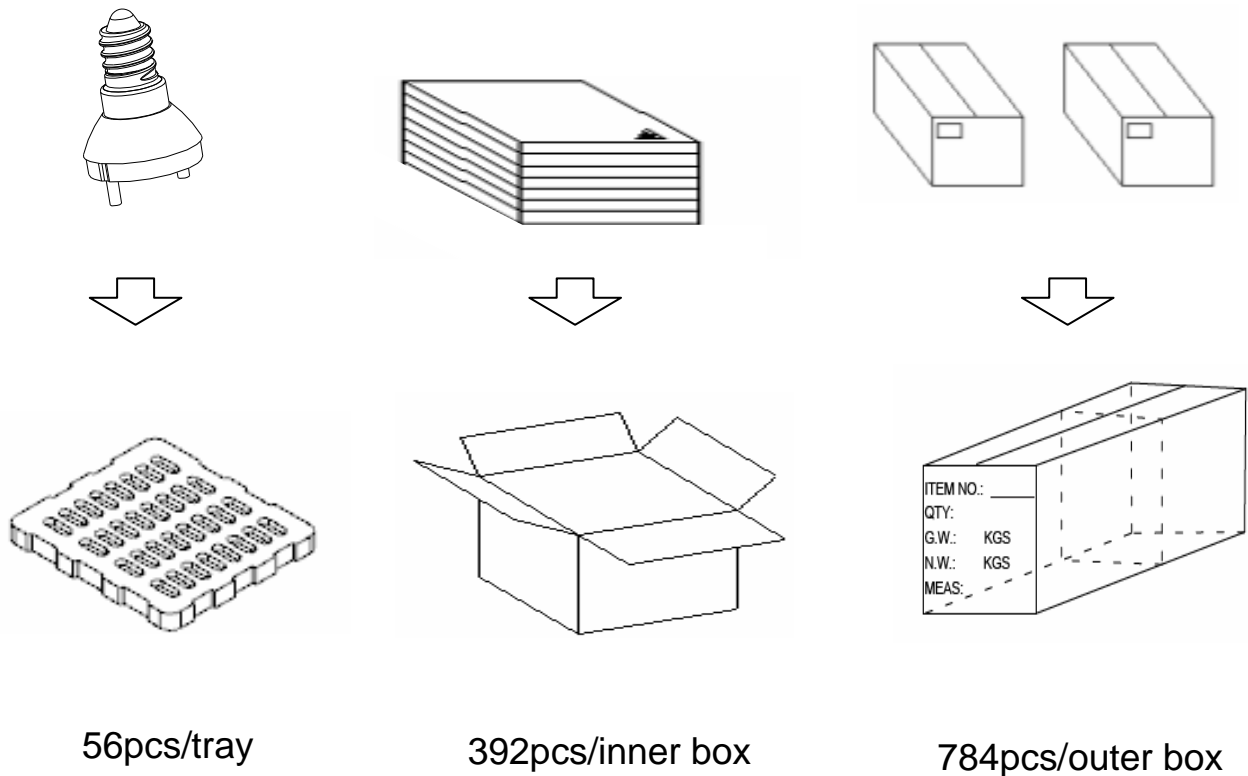
Driver Space (mm)



## Package

- Changeable plug : E14 Package

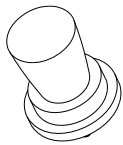
Item	Quantity	Total	Dimension (L*W*H)
Tray	56pcs/tray	56pcs	340*290*29 mm
Inner box	7tray/box	392pcs	350*310*210 mm
Outer box	2 inner box/outer box	784pcs	647*365*240 mm



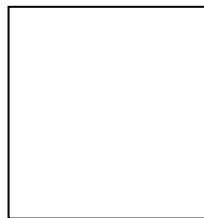
## Package

- Changeable plug : LENS Package

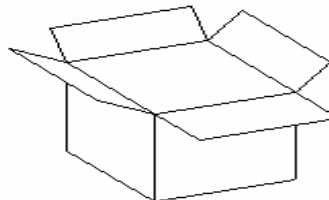
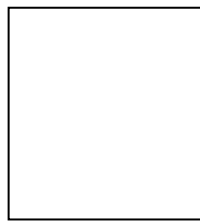
Item	Quantity	Total	Dimension (L*W*H)
PC pocket	10pcs/10PC pocket	10pcs	10*4 mm
PC pocket	25/PC pocket	250pcs	50*42mm
Inner box	4/Inner box	1000pcs	400*370*210 mm
Outer box	2 inner box/outer box	2000pcs	420*390*455 mm



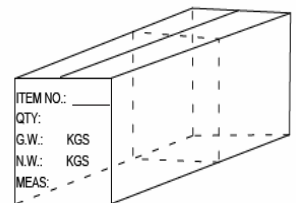
10pcs/10PC pocket



250/PC pocket



1000pcs/inner box

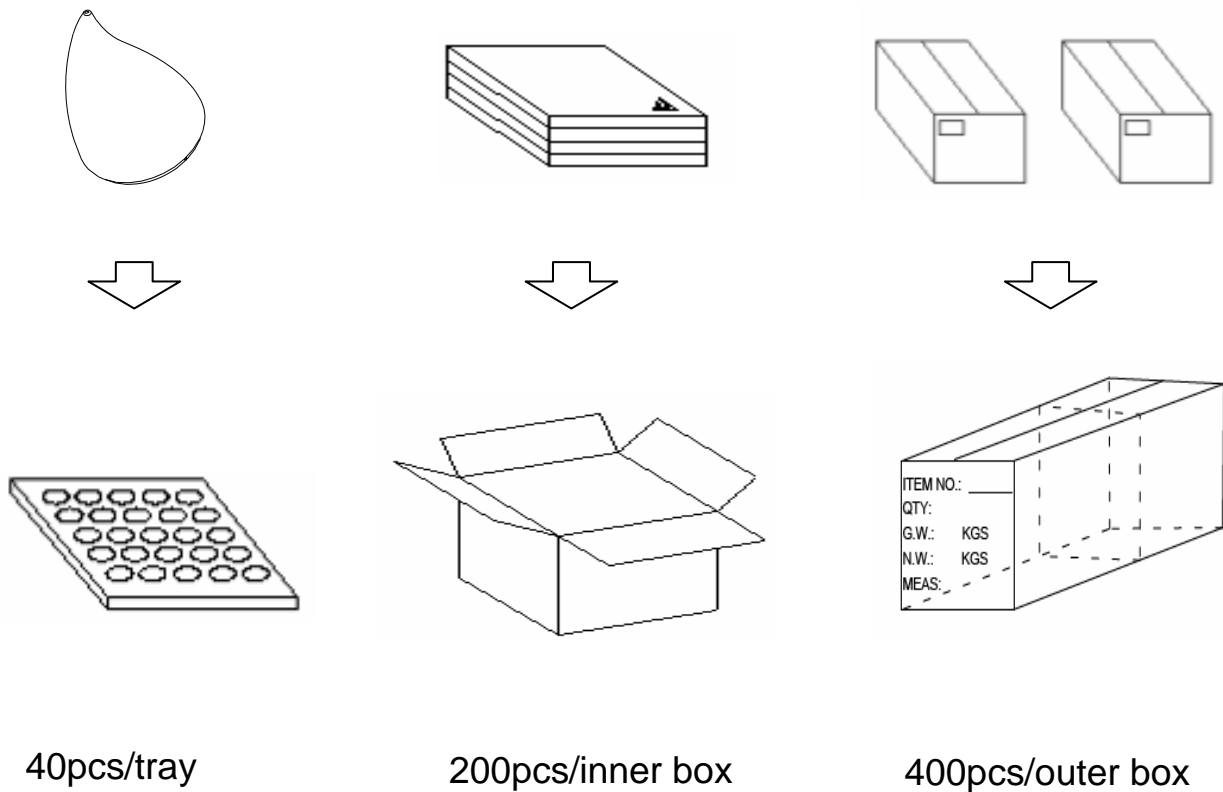


2000pcs/outer box

## Package

- Changeable plug : Sphere package

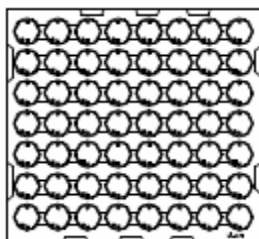
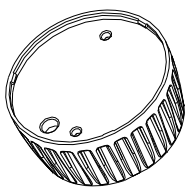
Item	Quantity	Total	Dimension (L*W*H)
Tray	40pcs/tray	40pcs	340*290*40mm
Inner box	5 tray/box	200pcs	350*310*210 mm
Outer box	2 inner box/outer box	400pcs	647*365*240mm



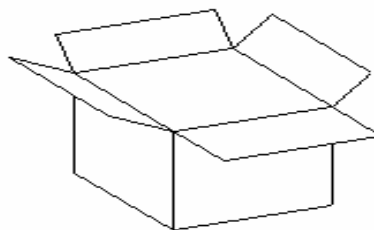
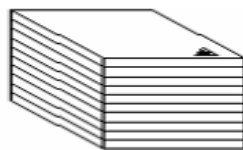
## Package

- Changeable plug : Sink package

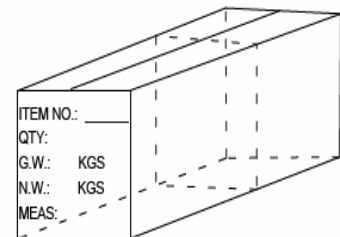
Item	Quantity	Total	Dimension (L*W*H)
Tray	56pcs/tray	56pcs	340*290*20mm
Inner box	10 tray/box	560pcs	350*310*210 mm
Outer box	2 inner box/outer box	1120pcs	647*365*240 mm



56pcs/tray



560pcs/inner box



1120pcs/outer box