
Product Specifications

NAME: RGB Waterproof-Amplifier

MODEL: NEO-AMP12A-IP65



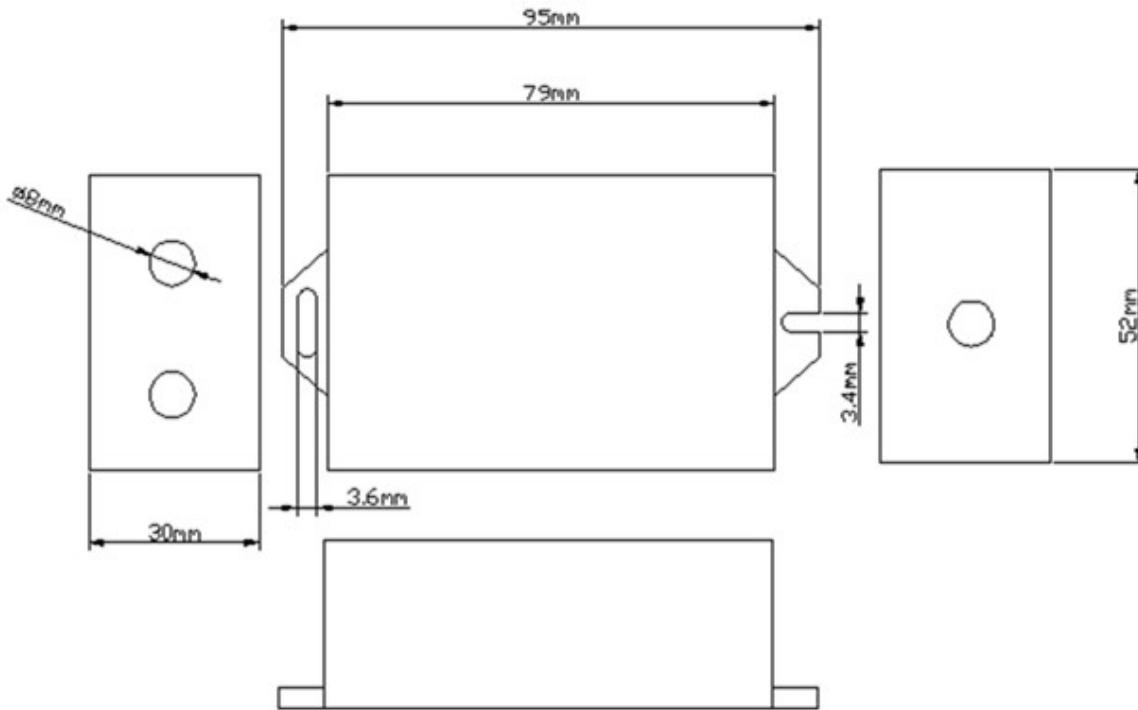
Summarization

RGB waterproof-Amplifier adjust to all the voltage-controlled LED controller of our company, it has waterproof function, RGB could accept PWM (Pulse Width Module), Each one RGB amplifier can be added, the connecting number of LED will up to more than twice, countless RGB amplifiers could be connected in theory.

Technical Parameters

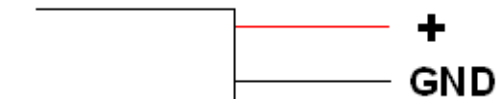
- working temperature: -20-60 °C
- power supply voltage: DC5V, 12V, 24V optional (order specify the required voltage)
- output: 3 channels
- connection mode: common anode
- external dimensions: L95XW52XH30mm
- package size: L145XW95XH50mm
- net weight: 175g
- gross weight: 210g
- static power consumption: <1W
- output current: <4A (each channel)
- output power: 5V: <60W, 12V: <144W, 24V: <288W

External Dimensions



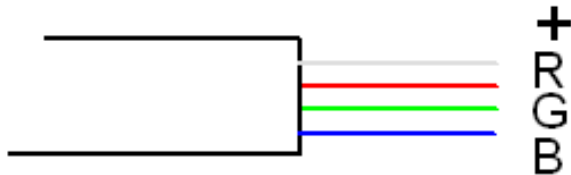
Interface Specifications

Power input interface:



Adopt tow-sheath wire as power input interface, **remarks: Red**→ + **Black**→ -

The input/output interface of signal:



Adopt four-sheath wires, **remarks: White wire**→ + **Red wire**→R **Green wire**→G
blue wire→B

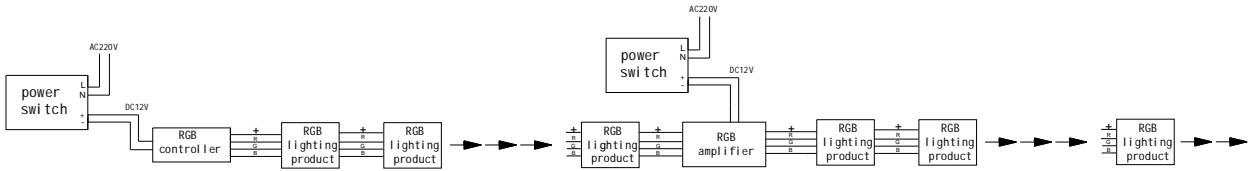
Direction for Use

According to the screen prompts of RGB amplifier on the panel, connect the in/out signal wire by order, ensure short circuit can not occur between wire. then connect power wire for RGB amplifier. The specific

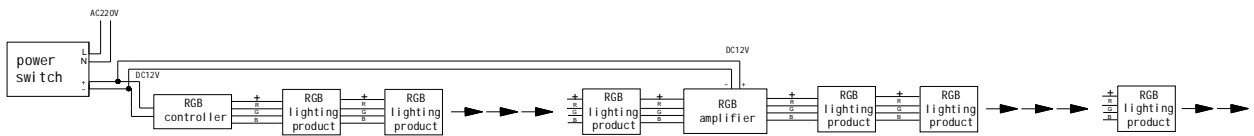
description about the matching use of RGB Amplifier and LED, please refer to the following: typical application.

Typical Applications

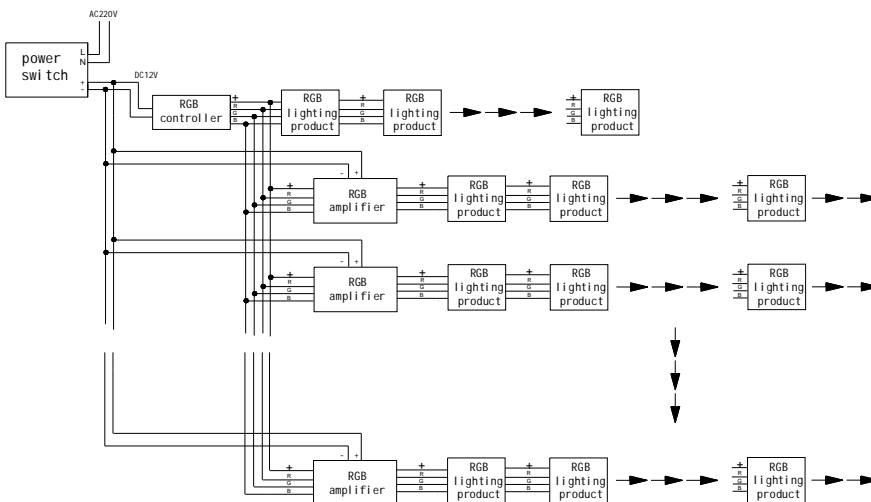
structure one: serial connection, two or more power switch.



structure two: serial connection, one power switch.



structure three: parallel connection, one power switch.



structure four: parallel, two or more power switch.

